

DS-2CE16H0T-IT3ZF(B) 5 MP Bullet Camera



Key Features

- 5 MP high performance COMS
- 2560 × 1944 resolution
- 2.7 mm to 13.5 mm motorized vari-focal lens
- EXIR 2.0, smart IR, up to 40 m IR distance
- OSD menu, 2D DNR, True WDR (up to 120dB)
- 4 in 1 video output (switchable TVI/AHD/CVI/CVBS)
- IP67
- Up the coax (HIKVISION-C)

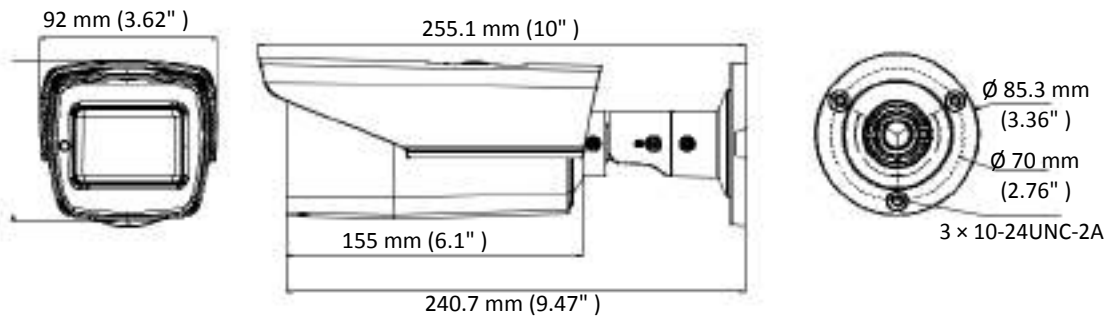


Camera	
Image Sensor	5 MP CMOS image sensor
Effective Pixels	2560 (H) × 1944 (V)
Min. illumination	Color: 0.01 Lux @ (F1.2, AGC ON), 0 Lux with IR
Shutter Time	PAL: 1/25 s to 1/50, 000 s NTSC: 1/30 s to 1/50, 000 s
Lens	2.7 mm to 13.5 mm motorized vari-focal lens
Horizontal Field of View	95.7° to 29.1°
Lens Mount	Φ 14
Day & Night	IR cut filter
Angle Adjustment	Pan: 0° to 360°; Tilt: 0° to 90°; Rotate: 0° to 360°
Synchronization	Internal synchronization (S/N Ratio: More than 62 db)
Frame Rate	PAL: 5 MP@20fps, 4 MP@25fps, 1080p@25fps NTSC: 5 MP@20fps, 4 MP@30fps, 1080p@30fps
Menu	
AGC	Support
D/N Mode	Auto/Color/BW (Black and White)
White Balance	ATW/MWB
BLC	Support
DWDR (Digital Wide Dynamic Range)	Support
Functions	Brightness, Sharpness, Mirror, Smart IR, Digital Noise Reduction
Interface	
Video Output	1 HD analog output
Switch Button	TVI/AHD/CVI/CVBS
General	
Operating Conditions	-40 °C to 60 °C (-40 °F to 140 °F), humidity: 90% or less (non-condensation)
Power Supply	12 VDC ±15%, 24 VAC ±15%
Power Consumption	DS-2CE16H0T-IT3ZF (B): Max. 6.3 W DS-2CE16H0T-AIT3ZF: Max. 8.9 W
Protection Level	IP67
Material	Front cover: Metal Main body: Plastic
IR Range	Up to 40 m
Communication	Up the coax, Protocol: HIKVISION-C (TVI output)
Dimensions	84.5 mm × 92 mm × 255.1 mm (3.33" × 3.62" × 10")
Weight	DS-2CE16H0T-IT3ZF (B): Approx. 665 g (1.47 lb.) DS-2CE16H0T-AIT3ZF: Approx. 705 g (1.55 lb.)

Order Model

DS-2CE16H0T-IT3ZF(B), DS-2CE16H0T-AIT3ZF

Dimension



Accessory



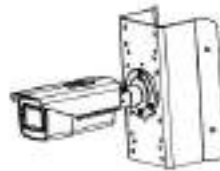
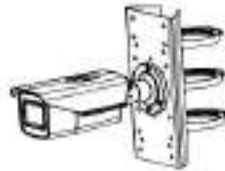
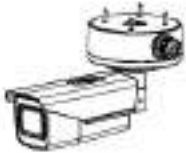
DS-1280ZJ-S
Junction Box



DS-1275ZJ-SUS
Vertical Pole Mount



DS-1276ZJ-SUS
Corner Mount



Distributed by



HIKVISION

Headquarters

No.555 Guiyin Road, Shijiazhuang District,
Hangzhou 310001, China
T +86-571-8817-0098
sales@hikvision.com

Hikvision USA
T +1-909-895-0400
sales.usa@hikvision.com

Hikvision Italy
T +39-0438-69432
info.it@hikvision.com

Hikvision Singapore
T +65-6894-4718
sg@hikvision.com

Hikvision Africa
T +27-105-0351172
sales.africa@hikvision.com

Hikvision Europe
T +31-20-55-142-770
info.eu@hikvision.com

Hikvision France
T +3301-85-330-400
info.fr@hikvision.com

Hikvision Oceania
T +61-2-8500-4222
sales.au@hikvision.com

Hikvision Hong Kong
T +852-2151-1761

Hikvision Middle East
T +971-4-8910086
sales.me@hikvision.com

Hikvision Spain
T +34-91-737-96-96
info.es@hikvision.com

Hikvision Canada
T +1-905-895-0400
sales.can@hikvision.com

Hikvision Russia
T +7-495-606-61-89
sales.ru@hikvision.com

Hikvision Poland
T +48-22-460-01-50
poland@hikvision.com

Hikvision Korea
T +82-31-731-6941
sales.korea@hikvision.com

Hikvision India
T +91-20-25409900
sales@pranahikvision.com

Hikvision DE
T +49-20-902140
support.uk@hikvision.com

Hikvision Brazil
T +55-11-3338-0900
latam.support@hikvision.com