

## DS-2CE10DF3T-PF 2 MP ColorVu Fixed Mini Bullet Camera



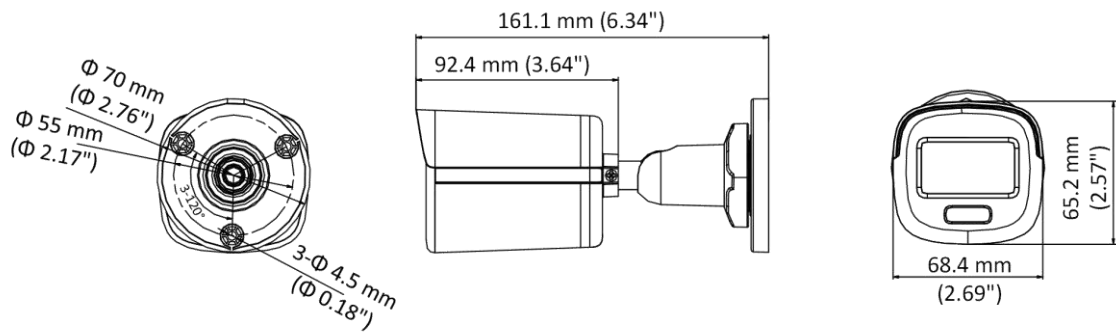
- High quality imaging with 2 MP, 1920 × 1080 resolution
- 24/7 color imaging with F1.0 aperture
- Clear imaging against strong back light due to 130 dB true WDR technology
- 3D DNR technology delivers clean and sharp images
- 2.8 mm, 3.6 mm, 6 mm fixed focal lens
- Up to 20 m white light distance for bright night imaging
- One port for four switchable signals (TVI/AHD/CVI/CVBS)
- Water and dust resistant (IP67)



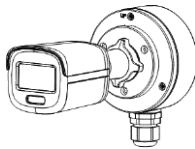
## ▪ Specification

<b>Camera</b>	
Image Sensor	2 MP CMOS
Signal System	PAL/NTSC
Resolution	1920 (H) × 1080 (V)
Frame Rate	TVI: 1080p@25fps/30fps CVI: 1080p@25fps/30fps AHD: 1080p@25fps/30fps CVBS: PAL/NTSC
Min. Illumination	0.0005 Lux @ (F1.0, AGC ON), 0 Lux with white light ON
Shutter Time	PAL: 1/25 s to 1/50,000 s; NTSC: 1/30 s to 1/50,000 s
Slow Shutter	Max. 16 times
Lens	2.8 mm, 3.6 mm, 6 mm Fixed Lens
Field of View	2.8 mm, horizontal FOV: 98°, vertical FOV: 52°, diagonal FOV: 116° 3.6 mm, horizontal FOV: 91°, vertical FOV: 42°, diagonal FOV: 91° 6 mm, horizontal FOV: 51°, vertical FOV: 28°, diagonal FOV: 59°
Lens Mount	M12
Light Alarm	Solid Light Alarm (White Light)
Day & Night	Color
WDR (Wide Dynamic Range)	≥130 dB
Angle Adjustment	Pan: 0° to 360°, Tilt: 0° to 90°, Rotation: 0° to 360°
<b>Menu</b>	
White Light	Auto/Off
Image Mode	STD/HIGH-SAT/HIGHLIGHT
AGC	Yes
Day/Night Mode	Color
White Balance	Auto/Manual
AE (Auto Exposure) Mode	WDR, BLC, HLC, Global, HLS
Privacy Mask	4 programmable privacy masks
Motion Detection	4 programmable motion areas
Noise Reduction	3D DNR/2D DNR
Language	English
Function	Brightness, Contrast, Mirror, Defective Pixel Correction, Sharpness, Anti-Banding, Smart Light
Lighting Mode	White Light
<b>Interface</b>	
Video Output	Switchable TVI/AHD/CVI/CVBS
<b>General</b>	
Operating Conditions	-40°C to 60°C (-40°F to 140°F), Humidity: 90% or less (non-condensing)
Power Supply	12 VDC ± 25%, <i>*You are recommended to use one power adapter to supply the power for one camera.</i>
Consumption	Max. 2.9 W
Protection Level	IP67
Material	Plastic
White Light Range	Up to 20 m
Communication	HIKVISION-C
Dimension	161.1 mm × 70 mm × 70 mm (6.34" × 2.76" × 2.76")
Weight	Approx. 222.5 g (0.49 lb.)

## Dimension



## Accessory



DS-1280ZI-XS

Distributed by

## Available Model

DS-2CE10DF3T-PF



### Headquarters

No.555 Qianmo Road, Binjiang District,  
Hangzhou 310051, China  
T +86-571-8807-5998  
ovw@askbusiness@hikvision.com

**Hikvision USA**  
T +1-909-895-0400  
sales.usa@hikvision.com

**Hikvision Australia**  
T +61-2-8695-4633  
salesau@hikvision.com

**Hikvision India**  
T +91-22-28489800  
sales@pramohikvision.com

**Hikvision Canada**  
T +1-866-298-8800  
sales.canada@hikvision.com

**Hikvision Thailand**  
T +662-275-8848  
sales.thailand@hikvision.com

**Hikvision Europe**  
T +31-23-5542770  
sales.eu@hikvision.com

**Hikvision Italy**  
T +39-0498-6002  
info.it@hikvision.com

**Hikvision Brazil**  
T +55 11 3318-0850  
Latin.support@hikvision.com

**Hikvision Turkey**  
T +90 (212)521 7070- 7074  
sales.tr@hikvision.com

**Hikvision Malaysia**  
T +601-2852-2413  
sales.my@hikvision.com

**Hikvision UK & Ireland**  
T +01825-002140  
sales.uk@hikvision.com

**Hikvision South Africa**  
Tel: +27 (0) 0351172  
saa.africa@hikvision.com

**Hikvision France**  
T +3301-85-330-050  
info.fr@hikvision.com

**Hikvision Kazakhstan**  
T +7-727-3173067  
niks.pacific@hikvision.ru

**Hikvision Vietnam**  
T +84-074270858  
sales.vt@hikvision.com

**Hikvision UAE**  
T +971-4-4432090  
sales.me@hikvision.com

**Hikvision Singapore**  
T +65-0094-0719  
sg@hikvision.com

**Hikvision Spain**  
T +34-91-717-16-55  
info.es@hikvision.com

**Hikvision Tashkent**  
T +99-87-1238-8436  
uzb@hikvision.ru

**Hikvision Hong Kong**  
T +852-2151-1761  
info.hk@hikvision.com

**Hikvision Russia**  
T +7-495-859-57-99  
salonr@hikvision.com

**Hikvision Korea**  
T +82-1031-731-8817  
sales.korea@hikvision.com

**Hikvision Poland**  
T +48-22-460-01-50  
info.pl@hikvision.com

**Hikvision Indonesia**  
T +62-21-2933759  
Sales.indonesia@hikvision.com

**Hikvision Colombia**  
sales.colombia@hikvision.com