

DS-2CE16D3T-IT3F 2 MP EXIR Bullet Camera



Key Features

- 2 MP high-performance CMOS
- Ultra low light
- 1920 × 1080 resolution
- 2.8 mm, 3.6 mm, 6 mm, 8 mm, 12 mm fixed lens
- EXIR 2.0, smart IR, up to 50 m IR distance
- OSD menu, 3D DNR, 120 dB true WDR, day/night switch
- 4 in 1 video output (switchable TVI/AHD/CVI/CVBS)
- IP67
- Up the coax (HIKVISION-C)



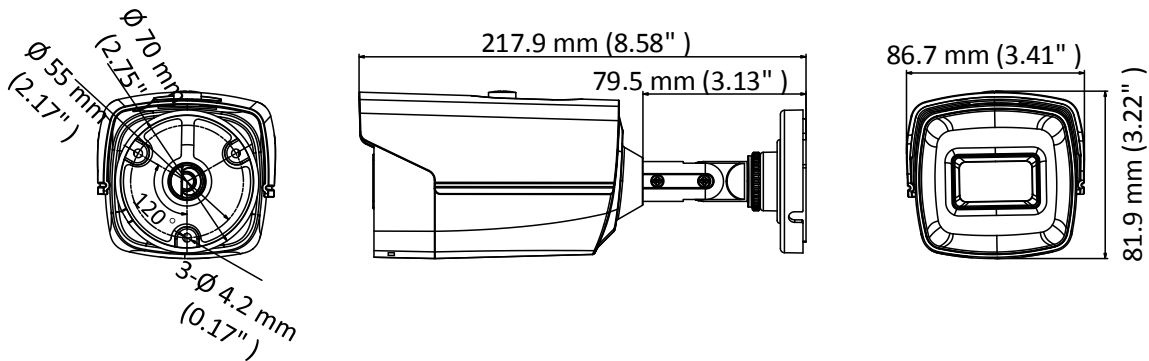
Specification

Camera	
Image Sensor	2.0 megapixel progressive scan CMOS
Signal System	PAL/NTSC
Video Frame Rate	PAL: 1080p@25fps NTSC: 1080p@30fps
Resolution	1920 (H) ×1080 (V)
Min. Illumination	0.005 Lux@(F1.2, AGC ON), 0 Lux with IR
Shutter Time	PAL: 1/25 s to 1/50, 000 s NTSC: 1/30 s to 1/50, 000 s
Slow Shutter	Max. 16 times
Lens	2.8 mm, 3.6 mm, 6 mm, 8 mm, 12 mm
Horizontal Field of View	106° (2.8 mm), 82° (3.6 mm), 51° (6 mm), 39° (8 mm), 24° (12 mm)
Lens Mount	M12
Day & Night	IR cut filter
Angle Adjustment	Pan: 0° to 360°, Tilt: 0° to 180°, Rotation: 0° to 360°
Synchronization	Internal synchronization
WDR (Wide Dynamic Range)	≥ 120 dB
Menu	
AGC	High/Medium/Low
D/N Mode	Auto/Color/BW (Black and White)
Image Mode	STD/HIGH-SAT
HLC (Highlight Compensation)	Yes
BLC (Backlight Compensation)	Yes
WDR	Yes
3D DNR	Level 1 to 9
Language	English
Functions	Brightness, Sharpness, 3D DNR, Mirror, Smart IR
Interface	
Video Output	1 HD analog output
Switch Button	TVI/AHD/CVI/CVBS
General	
Operating Conditions	-40 °C to 60 °C (-40 °F to 140 °F), Humidity: 90% or less (non-condensation)
Power Supply	12 VDC ±25% <i>*You are recommended to use one power adapter to supply the power for one camera.</i>
Power Consumption	Max. 5.6 W
Protection Level	IP67
Material	Front cover: Metal Main body: Plastic Bracket: Plastic
IR Range	Up to 50 m
Dimensions	81.9 mm × 86.7 mm × 217.9 mm (3.22" × 3.41" × 8.58")
Weight	Approx. 411 g (0.91 lb.)

Order Model

DS-2CE16D3T-IT3F

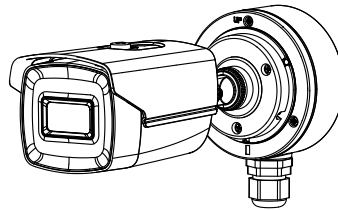
Dimension



Accessories



DS-1280ZI-XS
Junction Box



Distributed by



HIKVISION

Headquarters

No. 555 Dianmo Road, Binjiang District,
Hangzhou 310051, China
T +86-571-8807-5908
overseasbusiness@hikvision.com

Hikvision USA
T +1-800-895-0400
sales.usa@hikvision.com

Hikvision Australia
T +61-2-8699-4233
sales.au@hikvision.com

Hikvision India
T +91-20-29480000
sales.in@hikvision.com

Hikvision Canada
T +1-866-205-8680
sales.canada@hikvision.com

Hikvision Thailand
T +66-275-9049
sales.thailand@hikvision.com

Hikvision Europe
T +31-20-5542770
sales.eu@hikvision.com

Hikvision Italy
T +39-0438-6902
info.it@hikvision.com

Hikvision Brazil
T +55-11-3318-0050
latam.support@hikvision.com

Hikvision Turkey
T +90 312181521 7070- 7074
sales.tr@hikvision.com

Hikvision Malaysia
T +601-7652-2413
sales.my@hikvision.com

Hikvision UK & Ireland
T +01628-002140
sales.uk@hikvision.com

Hikvision South Africa
Tel: +27 (0) 0351172
sfafrica@hikvision.com

Hikvision France
T +3301-65-330-450
info.fr@hikvision.com

Hikvision Kazakhstan
T +7-727-979067
sales.pantsov@hikvision.ru

Hikvision Vietnam
T +84-974270888
sales.vn@hikvision.com

Hikvision UAE
T +971-4-4432000
sales.me@hikvision.com

Hikvision Singapore
T +65-6884-6718
sg@hikvision.com

Hikvision Spain
T +34-91-737-18-55
info.es@hikvision.com

Hikvision Tashkent
T +99-97-1238-9438
uzb@hikvision.ru

Hikvision Hong Kong
T +852-2351-1761
info.hk@hikvision.com

Hikvision Russia
T +7-495-009-67-98
sales.ru@hikvision.com

Hikvision Korea
T +82-1031-731-8817
sales.korea@hikvision.com

Hikvision Poland
T +48-22-460-01-60
info.pl@hikvision.com

Hikvision Indonesia
T +62-21-2933758
Sales.indonesia@hikvision.com

Hikvision Colombia
sales.colombia@hikvision.com