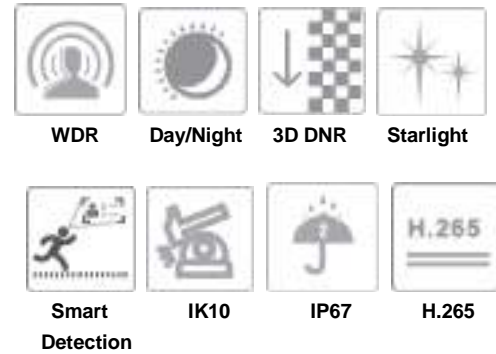


8MP Stitched 180° Panoramic Network Camera**TD-6424M3(D/PE/AR2)****Features**

- Four 2MP video modules to stitch one 8MP (4096x1800), 180° panoramic view stream
- True starlight technology (0.008lux@F2.0 AGC on) provides vivid color at most scenarios
- 20m Smart IR provides clear and uniform B/W image under no light conditions
- DWDR, 3D DNR, BLC, HLC
- Covers a large public area to count crowd density, record actions.
- Recognizes max. 50 faces/s within a public area
- Alarm triggered by multi-rules: crowd density limit, mask-wearing status, line crossing, intrusion, device error
- 5 zones of e-PTZ, 4 zones of privacy masks, and custom logo support.
- ONVIF specifications, interoperability between network video products, regardless of manufacturer
- Interface: RJ45, SD Card, Alarm, Audio, RS485
- - 30°C~60°C (-22°F ~ 140°F), IP67, IK10, Metal body
- Support both PoE(802.3.af) and DC12V
- One IP, one cable, reducing total fees

Application

Public area safety: Railway station, Airport, Cathedral, City mall, Plaza, School, Conference room, etc.

Specifications

Camera Module	
Image sensor	1/2.8" progressive scan CMOS image sensor x 4
Mini. Illumination	Color : 0.008Lux @ (F2.0 , AGC ON) ; B/W : 0.008Lux @(F2.0 , AGC ON);0Lux with IR
Image setting	Flip, Mirror, Saturation, Brightness, Contrast, Sharpness, AGC, and AWB adjusted by client software/browser
Shutter Speed	1/1 s – 1/10,000 s
White Balance	Auto/Manual/Indoor/Outdoor
Gain	Auto/Manual
Day & Night	IR Cut filter
Digital Zoom	16x
Privacy Mask	4 Programmable privacy masks
3D DNR	Auto /Manual
BLC	Yes
HLC	Yes
WDR	D-WDR
Defog	Electronic
EIS	Yes
Regional Exposure	No
Picture overlay	Logo picture could be overlaid on video
Lens	
Focus length	3.2mm lens x 4
Aperture	F2.0
FOV	Panoramic image: Horizontal FOV:180° ; Vertical FOV: 85°
Working distance	1.0m ~ INF
IR	
IR Range	20m radius
Smart IR	Yes
Network	
Max Resolution	4096x1800@25/30fps
Main stream	4096 x 1800, 3840 x 1680 , 2880 x 1264(1~30fps)
Sub stream:	2048 x 896, 704 x 320(1~30fps)
Third stream:	704 x 320 (1~30fps)
SVC	Yes
Video compression	Smart H.265/H.264/MJPEG
Audio compression	G.711 A/U
Audio Enhancement	Not support

Protocols	HTTP, HTTPS, IPv4/IPv6, 802.1x, QoS, FTP, SMTP, UPnP, SNMP,DNS, DDNS, NTP, RTSP, RTCP, RTP, TCP/IP, UDP, IGMP, ICMP,DHCP, PPPoE
Simultaneous live view	Up to 6 channels
User / Host	Up to 16 users, 3 levels: Administrator, Advanced User and Normal User
Security Measures	User authentication (ID and PW), Host authentication (MAC address); HTTPS encryption, IEEE802.1x port-based network access control; IP address filtering
Smart Features	
Basic event	Motion detection (panorama and original modes support), video tampering alarm, exception (network disconnected, IP address conflict, SD full, SD error)
Face recognition	Max 50 human faces (mask) per second(default off) (V 5.01 and later supports)
Face comparison	Default off
People Density Statics	Yes (only the panorama mode support)
Smart Detection	Intrusion detection, line crossing detection, region entrance detection, region exiting detection
ePTZ	5 Zones, auto trace and zoom fit (V 5.01 does not support)
Alarm Linkage	Upload to FTP/Memory card, notify surveillance center, send email, trigger alarm output, trigger recording, trigger capture
System Integration	
Alarm Interface	1CH alarm input; 1CH alarm output
Audio Interface	1CH audio input, 2 to 2.4v[p-p] 1kΩ±10%; 1CH audio output (line out), impedance: 600Ω
Network Interface	1 RJ45 10M/100M Adaptive Ethernet (Support PoE 802.3.af)
CVBS	Not support
RS 485	Pelco-D / P protocol, custom protocols available
Storage	Built-in memory card slot, support microSD/SDHC/SDXC, up to 256G
USB3.0	Not support
Fiber Optical	Not Support
GIS	Not Support
API	ONVIF, support TVT SDK and third-party management platform
Client	VMS-9000 and the third-party client
Web Browser	IE8-11 (NOT support Safari /Firefox /Chrome)
General	
Power	DC12V,PoE (802.3.af), (Max 12.9W, include IR on)
Working Condition	-30℃ ~ 60℃ (-22F ~ 140 F),90%RH less (non -condensing),cold start at -20℃
Storage Condition	-40℃ ~ 70℃ ;≤ 95%RH
Protection	IP 67, IK 10, 6000VLightning Protection, Surge Protection and Voltage Transient Protection
Material	Aluminum Alloy; PC
Angle Adjustment	Pan:0~360°; Tilt: 0~90°; Rotation: 0~360°
Dimensions	LxWxH= 288.4mm x 159.7mm x 137.7mm (11.35" x 6.29"x 5.42")
Weight	Approx. 2.1Kg(4.63lb)
Certification	CE, FC, IK10, IP67
Environment Protection	Complies with Directive EU RoHS, WEEE, Directive 94/62/EC and REACH

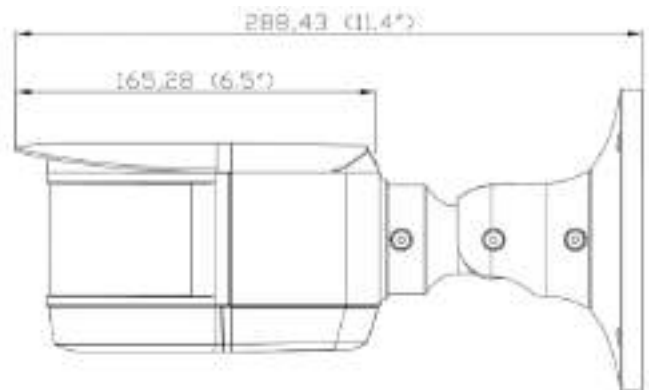
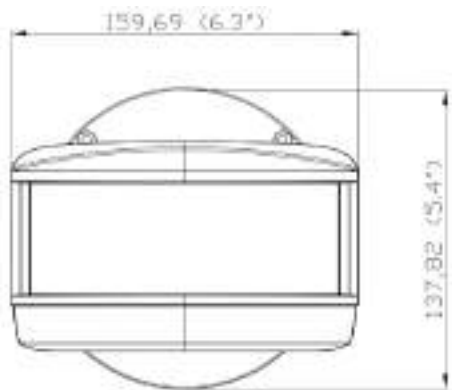
Ordering Information

Camera	TD-6424M3(D/PE/AR2)	8MP Stitched 180°Panoramic Network IR Bullet Camera, DC12V/PoE, IP67/IK10, -30°C~60°C
Accessories (Optional)	TD-YXH0207	Wall mount bracket
	TD-YXH0207+YZJ0407	Wall mount bracket
	TD-YXH0207+YZJ0811	Ceiling mount bracket
	TD-YXH0207+YZJ0407+YZJ0501	Pole mount bracket
	TD-YXH0207+YZJ0501	Pole mount bracket
	TD-YXH0207+YZJ0407+YZJ0601	Corner mount bracket
	TD-YXH0207+YZJ0601	Corner mount bracket
	DC12V3A	Power Adaptor

* Please contact your local sales for more information about production details.

Dimension

Unit: mm (inch)



Accessories

Optional



TD-YXH0207
Wall Mount



TD-YXH0207+YZJ0407
Wall Mount



TD-YXH0207+YZJ0811
Ceiling Mount



TD-YXH0207+
TD-YZJ0407+ YZJ0501
Pole Mount



TD-YXH0207+YZJ0501
Pole Mount



TD-YXH0207+
YZJ0407+YZJ0601
Corner Mount



TD-YXH0207+YZJ0601
Corner Mount



DC12V3A
Power Adapter

Shenzhen TVT Digital Technology Co., LTD.

Address: 23rd Floor, Block B4, Building NO.9, Shenzhen Bay Eco-Technology Park, Nanshan District, Shenzhen, Guangdong Province, P.R. China

Tel: +86-755-36995888

Website: <http://en.tvt.net.cn>

Fax: +86-755-33104777

E-mail: overseas@tvt.net.cn