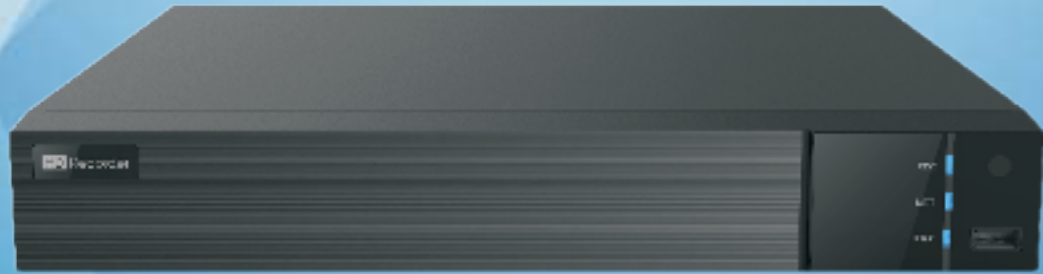


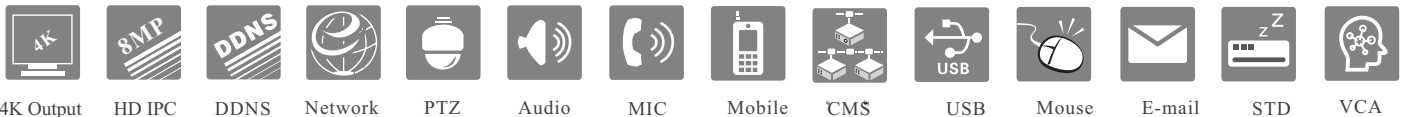
NVR

16/32 CH NVR

8MP/6MP/5MP/4MP/3MP/1080P/720P HD NVR



TD-3100B2



TD-3100B2 series supports 16/32 CH 8MP/6MP/5MP/4MP/3MP/1080P/1280 × 1024/960P/720P high definition IP video input, which adopts the most advanced SOC technique to ensure high definition recording in each channel and realize outstanding robustness of the system.

TD-3100B2 series supports 16/32 CH IP input, simultaneous 16 CH playback, and 4K ultra high definition display. The series of product can meet different security requirements of home, financial, commerce, enterprise, transportation and government, etc.



en.tvt.net.cn

For more information, please visit our website

Shenzhen TVT DIGITAL TECHNOLOGY CO., LTD.

Address: 23rd Floor, Block B4, Building NO.9, Shenzhen Bay Eco-Technology Park, Nanshan District, Shenzhen, Guangdong Province, P.R.China

Tel: +86-755-36995888

Web site: <http://en.tvt.net.cn>

Fax: +86-755-33104777

E-mail: overseas@tvt.net.cn

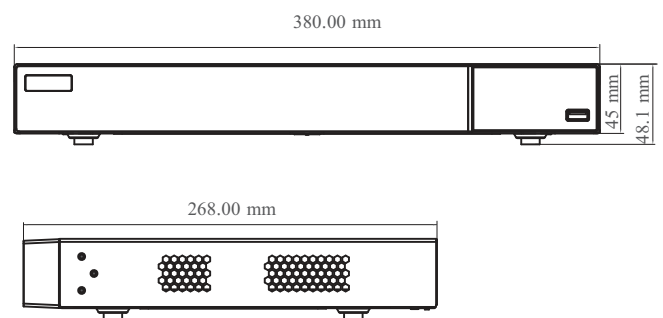
Specifications

Model		TD-3116B2	TD-3132B2
System	OS	Embedded Linux	
Video	Network Input	16 CH IPC input	32 CH IPC input
	Network Input Resolution	8MP/6MP/5MP/4MP/3MP/1080P/1280×1024/960P/720P/960H/D1/CIF	
	Output	HDMI × 1: 3840 × 2160 / 1920 × 1080 / 1280 × 1024 / 1024 × 768 VGA: 1920 × 1080 / 1280 × 1024 / 1024 × 768 HDMI and VGA output the same video source	
	Compression	H.265S / H.265+ / H.265 / H.264	
	Multi-screen display	1/4/6/8/9/13/16	1/4/6/8/9/13/16
Audio	Network Input	16 CH IPC audio input	32 CH IPC audio input
	2-way Audio	RCA × 1	
	Local Output	RCA × 1	
	Compression	G.711(U/A)	
Record	Record Stream	Dual stream recording	
	Resolution	8MP/6MP/5MP/4MP/3MP/1080P/1280×1024/960P/720P/960H/D1/CIF	
	Frame Rate	P:25fps; N:30fps	
Playback	Simultaneous Playback	Max. 16 CH	
	Search	Time slice / time / event / tag search	
	Smart Search	Highlighted color to display the camera record in a certain period of time, different colors refers to different record events	
	Function	Play, pause, FF, FB, digital zoom, etc.	
Decoding Capability	Live View/ Playback	1CH 8MP; 4CH 1080P	
Alarm	Mode	Manual, sensor, motion, exception, smart events	
	Input	4CH alarm input; IPC alarm input supported	
	Output	1CH alarm output; IPC alarm output supported	
	Triggering	Record, snap, preset, e-mail, etc.	
Network	Interface	RJ 45 1000Mbps × 1	
	Protocol	TCP / IP, IPv4, IPv6, PPPoE, DHCP, DNS, DDNS, UPnP, NTP, SMTP, HTTP, HTTPS, 802.1x, RTSP, SNMP, ONVIF, etc.	
	Incoming Bandwidth	112Mbps	
	Outgoing Bandwidth	112Mbps	
	Client Connection	Max. 10 users access	Max. 20 users access
LPR	Plate Recognition	Yes	
Mobile Device	OS	iOS, Andriod	
Storage	HDD Interface	SATA3.0 × 2, max 8T per HDD	
Backup	Local Backup	U disk, USB mobile HDD	
	Network Backup	Yes	
Port	USB	USB 2.0 × 2	
	RS 485	Yes (full-duplex); connect to PTZ or keyboard	
	Remote Controller	Optional	
Others	Power Supply	DC 12V/3A	
	Consumption	≤ 15W (without HDD)	
	Dimensions(mm)	380 × 268 × 45 (W × D × H)	
	Working Environment	-10 ~ 50°C, 10% ~ 90% humidity	
	Certificate	CE, FCC	
Environmental Protection	Complies with Directive EU RoHS, REACH and WEEE		

Features

- Support 16/32CH 8MP/6MP/5MP/4MP/3MP/1080P/1280×1024/960P/720P/960H/D1/CIF IP video input
- H.265S / H.265+ / H.265 / H.264 coding
- Intuitive and user-friendly Graphic User Interface (GUI), Windows style operation by mouse
- Search : time slice, time, event, tag and smart search
- Support multiple VCA (Video Content Analytics) events, such as object abandoned/missing, region intrusion, tripwire, video exception, etc.
- Support POS information overlay on live view and playback
Playback : 16CH simultaneous playback
- Express and flexible backup via USB, network and so on
- Pentaplex : preview, record, playback, backup and remote access
- DHCP, DDNS, PPPoE network protocol
- Remote control via Web or CMS : preview, playback, backup, PTZ and configuration
- Dual stream technology for local storage with high definition, remote network transmission and remote surveillance with mobile device
- Multi-user online simultaneously
- Authorization management, log view and device status view
- 4K ultra high resolution output, true high resolution display
- Support NAT function and QRCode scanning by mobile phones
- Powerful mobile surveillance by smart phones with iOS and Andriod OS

Dimensions



Rear Panel

