

DS-2CD2343G2-I(U)

4 MP AcuSense Fixed Turret Network Camera

AcuSense



Empowered by deep learning algorithms, Hikvision AcuSense technology brings human and vehicle targets classification alarms to front- and back-end devices. The system focuses on human and vehicle targets, vastly improving alarm efficiency and effectiveness.

- High quality imaging with 4 MP resolution
- Clear imaging against strong backlight due to 120 dB WDR technology
- Efficient H.265+ compression technology
- -U: Built-in microphone for real-time audio security
- Water and dust resistant (IP67)
- Focus on human and vehicle targets classification based on deep learning



▪ Specification

| Camera | |
|-----------------------------|---|
| Image Sensor | 1/3" Progressive Scan CMOS |
| Min. Illumination | Color: 0.005 Lux @ (F1.6, AGC ON), 0 Lux with IR on |
| Shutter Speed | 1/3 s to 1/100,000 s |
| Slow Shutter | Yes |
| P/N | P/N |
| Wide Dynamic Range | 120 dB |
| Day & Night | ICR Cut |
| Angle Adjustment | Pan: 0° to 360°, tilt: 0° to 75°, rotate: 0° to 360° |
| Lens | |
| Lens Type & FOV | 2.8 mm, horizontal FOV 103°, vertical FOV 55°, diagonal FOV 122° 4 mm, horizontal FOV 84°, vertical FOV 45°, diagonal FOV 100° |
| Aperture | F1.6 |
| Lens Mount | M12 |
| DORI | |
| DORI | 2.8 mm: D: 67 m, O: 26 m, R: 13 m, I: 6 m 4 mm: D: 80 m, O: 31 m, R: 16 m, I: 8 m |
| Illuminator | |
| IR Range | Up to 30 m |
| Wavelength | 850 nm |
| Video | |
| Max. Resolution | 2688 × 1520 |
| Main Stream | 50 Hz: 25 fps (2688 × 1520, 1920 × 1080, 1280 × 720) 60 Hz: 30 fps (2688 × 1520, 1920 × 1080, 1280 × 720) |
| Sub Stream | 50 Hz: 25 fps (1280 × 720, 640 × 480, 640 × 360) 60 Hz: 30 fps (1280 × 720, 640 × 480, 640 × 360) |
| Third Stream | 50 Hz: 10 fps (1920 × 1080, 1280 × 720, 640 × 480, 640 × 360) 60 Hz: 10 fps (1920 × 1080, 1280 × 720, 640 × 480, 640 × 360) |
| Video Compression | Main stream: H.265/H.264/H.264+/H.265+ Sub-stream: H.265/H.264/MJPEG Third stream: H.265/H.264 |
| Video Bit Rate | 32 Kbps to 8 Mbps |
| H.264 Type | Baseline Profile/Main Profile/High Profile |
| H.265 Type | Main Profile |
| H.264+ | Main Stream supports |
| H.265+ | Main Stream supports |
| Bit Rate Control | CBR/VBR |
| Scalable Video Coding (SVC) | Yes |
| Region of Interest (ROI) | 1 fixed region for main stream and sub-stream |
| Audio | |
| Environment Noise Filtering | -U: Yes |
| Audio Sampling Rate | -U: 8 kHz/16 kHz/32 kHz/44.1 kHz/48 kHz |
| Audio Compression | -U: G.711ulaw/G.711alaw/G.722.1/G.726/MP2L2/PCM/MP3/AAC-LC |

| | |
|-------------------------------|---|
| Audio Bit Rate | -U: 64 Kbps (G.711ulaw/G.711alaw)/16 Kbps (G.722.1)/16 Kbps (G.726)/16-64 Kbps (AAC-LC)/32-192 Kbps (MP2L2)/8-320 Kbps (MP3) |
| Network | |
| Simultaneous Live View | Up to 6 channels |
| API | Open Network Video Interface (Profile S, Profile G), ISAPI, SDK |
| Protocols | TCP/IP, ICMP, HTTP, HTTPS, FTP, DHCP, DNS, DDNS, RTP, RTSP, NTP, UPnP, SMTP, IGMP, 802.1X, QoS, IPv6, UDP, Bonjour, SSL/TLS, PPPoE, WebSocket, WebSockets |
| User/Host | Up to 32 users. 3 user levels: administrator, operator and user |
| Security | Password protection, complicated password, HTTPS encryption, IP address filter, Security Audit Log, basic and digest authentication for HTTP/HTTPS, TLS 1.1/1.2, WSSE and digest authentication for Open Network Video Interface |
| Network Storage | NAS (NFS, SMB/CIFS), auto network replenishment (ANR) |
| Client | iVMS-4200, Hik-Connect, Hik-Central |
| Web Browser | Plug-in required live view: IE 10, IE 11 Plug-in free live view : Chrome 57.0+, Firefox 52.0+ Local service: Chrome 57.0+, Firefox 52.0+ |
| Image | |
| Day/Night Switch | Day, Night, Auto, Schedule |
| Image Enhancement | BLC, HLC, 3D DNR |
| Image Parameters Switch | Yes |
| Image Settings | Rotate, mirror, privacy mask, saturation, brightness, contrast, sharpness, gain, white balance adjustable by client software or web browser |
| Interface | |
| Built-in Microphone | -U: yes |
| On-board Storage | Built-in microSD, up to 512 GB |
| Hardware Reset | Yes |
| Communication Interface | 1 RJ45 10M/100M self-adaptive Ethernet port |
| Event | |
| Basic Event | Motion detection (human and vehicle targets classification), video tampering alarm, exception |
| Face Detection | Yes |
| Deep Learning Function | |
| Perimeter Protection | Line crossing detection, intrusion detection Supports human and vehicle targets classification |
| General | |
| Linkage Method | Upload to FTP/memory card/NAS, notify surveillance center, trigger record, trigger capture, Email |
| Web Client Language | 33 languages English, Russian, Estonian, Bulgarian, Hungarian, Greek, German, Italian, Czech, Slovak, French, Polish, Dutch, Portuguese, Spanish, Romanian, Danish, Swedish, Norwegian, Finnish, Croatian, Slovenian, Serbian, Turkish, Korean, Traditional Chinese, Thai, Vietnamese, Japanese, Latvian, Lithuanian, Portuguese (Brazil), Ukrainian |
| General Function | Anti-flicker, heartbeat, password reset via e-mail, pixel counter |
| Software Reset | Yes |
| Storage Conditions | -30 °C to 60 °C (-22 °F to 140 °F). Humidity 95% or less (non-condensing) |

| | |
|----------------------------------|--|
| Startup and Operating Conditions | -30 °C to 60 °C (-22 °F to 140 °F). Humidity 95% or less (non-condensing) |
| Power Supply | 12 VDC ± 25%, reverse polarity protection PoE: 802.3af, Class 3 |
| Power Consumption and Current | 12 VDC, 0.5 A, max. 6 W PoE (802.3af, 36 V to 57 V), 0.19 A to 0.12 A, max. 7 W |
| Power Interface | Ø5.5 mm coaxial power plug |
| Material | Aluminum alloy body |
| Camera Dimension | Ø127.3 × 95.9 mm (Ø5.01" × 3.78") |
| Package Dimension | 150 × 150 × 141 mm (5.9" × 5.9" × 5.6") |
| Camera Weight | Approx. 600 g (1.3 lb.) |
| With Package Weight | Approx. 816 g (1.8 lb.) |
| Approval | |
| EMC | FCC (47 CFR Part 15, Subpart B); CE-EMC (EN 55032: 2015, EN 61000-3-2: 2014, EN 61000-3-3: 2013, EN 50130-4: 2011 +A1: 2014); RCM (AS/NZS CISPR 32: 2015); IC (ICES-003: Issue 6, 2016); KC (KN 32: 2015, KN 35: 2015) |
| Safety | UL (UL 60950-1); CB (IEC 60950-1:2005 + Am 1:2009 + Am 2:2013); CE-LVD (EN 60950-1:2005 + Am 1:2009 + Am 2:2013); BIS (IS 13252(Part 1):2010+A1:2013+A2:2015) |
| Environment | CE-RoHS (2011/65/EU); WEEE (2012/19/EU); Reach (Regulation (EC) No 1907/2006) |
| Protection | IP67 (IEC 60529-2013) |

▪ Available Model

DS-2CD2343G2-I (2.8/4 mm)

DS-2CD2343G2-IU (2.8/4 mm)

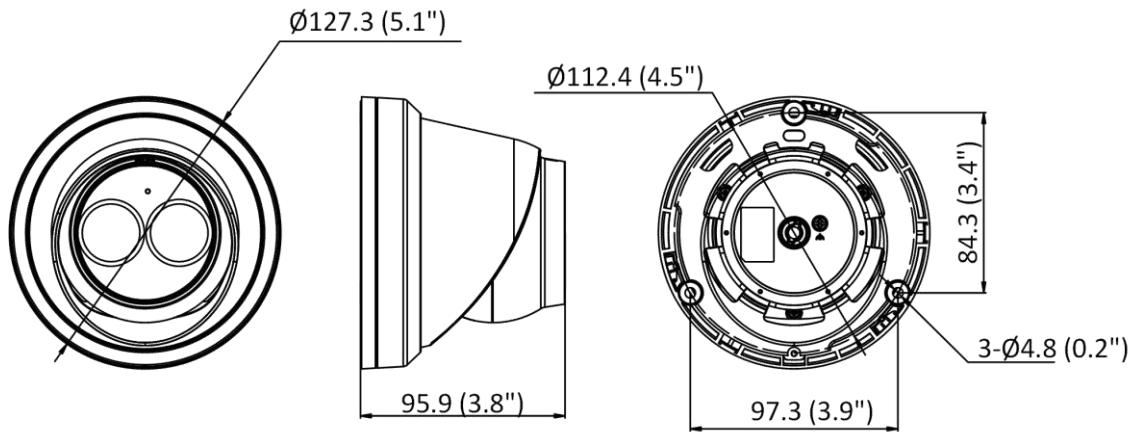
▪ Typical Application

Hikvision products are classified into three levels according to their anti-corrosion performance. Refer to the following description to choose for your using environment.

This model has NO SPECIFIC PROTECTION.

| Level | Description |
|------------------------|--|
| Top-level protection | Hikvision products at this level are equipped for use in areas where professional anti-corrosion protection is a must. Typical application scenarios include coastlines, docks, chemical plants, and more. |
| Moderate protection | Hikvision products at this level are equipped for use in areas with moderate anti-corrosion demands. Typical application scenarios include coastal areas about 2 kilometers (1.24 miles) away from coastlines, as well as areas affected by acid rain. |
| No specific protection | Hikvision products at this level are equipped for use in areas where no specific anti-corrosion protection is needed. |

▪ Dimension



Unit: mm (inch)

▪ **Accessory**

▪ **Optional**

| | | | | |
|---|---|---|---|---|
| DS-1271ZJ-130-TRL Pendant Mount | DS-1276ZJ-SUS (Black) Corner Mount | DS-1281ZJ-M (Black) Inclined Ceiling Mount | DS-1275ZJ-SUS Vertical Pole Mount | DS-1271ZJ-130-TRL (Black) Pendant Mount |
|  |  |  |  |  |
| DS-1280ZJ-DM8 (Black) Junction Box | DS-1281ZJ-M Inclined ceiling mount | DS-1273ZJ-130B-TRL Wall mount | DS-1276ZJ-SUS Corner mount | DS-1275ZJ-SUS (Black) Vertical Pole Mount |
|  |  |  |  |  |
| DS-1273ZJ-130-TRL(Black) Wall Mount | DS-1280ZJ-DM8 Junction box | DS-1273ZJ-130-TRL Wall mount | | |
|  |  |  | | |

Distributed by

**HIKVISION****Headquarters**

No.555 Qianmo Road, Binjiang District,
Hangzhou 310051, China
T +86-571-8007-5998
overseasbusiness@hikvision.com

Hikvision USA
T +1-800-895-0400
sales.usa@hikvision.com

Hikvision Australia
T +61-2-8589-4233
salesau@hikvision.com

Hikvision India
T +91-22-29499800
sales@premierhikvision.com

Hikvision Canada
T +1-888-200-8890
sales.canada@hikvision.com

Hikvision Thailand
T +662-275-9949
sales.thailand@hikvision.com

Hikvision Europe
T +31-23-5542770
sales.eu@hikvision.com

Hikvision Italy
T +39-0438-6902
info.it@hikvision.com

Hikvision Brazil
T +55 11 3318-0060
latam.support@hikvision.com

Hikvision Turkey
T +90 (212)521 7070- 7074
sales.tr@hikvision.com

Hikvision Malaysia
T +601-3652-2413
sales.my@hikvision.com

Hikvision UK & Ireland
T +01628-802140
sales.uk@hikvision.com

Hikvision South Africa
Tel: +27 (10) 0551172
safa.africa@hikvision.com

Hikvision France
T +33011-86-330-450
info.fr@hikvision.com

Hikvision Kazakhstan
T +7-727-8730007
nikisapanflow@hikvision.kz

Hikvision Vietnam
T +84-074270888
sales.vt@hikvision.com

Hikvision UAE
T +971-4-4452030
salesme@hikvision.com

Hikvision Singapore
T +65-6694-4718
sg@hikvision.com

Hikvision Spain
T +34-91-737-18-55
info.es@hikvision.com

Hikvision Tashkent
T +99-87-1238-9438
uzb@hikvision.tj

Hikvision Hong Kong
T +852-2351-1791
info.hk@hikvision.com

Hikvision Russia
T +7-495-609-67-99
salesru@hikvision.com

Hikvision Korea
T +82-0631-731-8617
sales.korea@hikvision.com

Hikvision Poland
T +48-22-460-01-50
info.pl@hikvision.com

Hikvision Indonesia
T +62-21-2933759
Sales.Indonesia@hikvision.com

Hikvision Colombia
sales.colombia@hikvision.com