

## DS-2DE7232IW-AE (S5) 2 MP 32 × IR Network Speed Dome



### AcuSense



Hikvision DS-2DE7232IW-AE (S5) 2 MP 32 × IR Network Speed Dome adopts 1/2.8" progressive scan CMOS chip. With the 32 × optical zoom lens, the camera offers more details over expansive areas.

This series of cameras can be widely used for wide ranges of high-definition, such as the rivers, roads, railways, airports, squares, parks, scenic spots, and venues, etc.

Empowered by deep learning algorithms, Hikvision AcuSense technology brings human and vehicle targets classification alarms to front- and back-end devices. The system focuses on human and vehicle targets, vastly improving alarm efficiency and effectiveness.

- Focuses on human and vehicle targets classification based on deep learning
- Support face capture. Up to 5 faces captured at the same time
- 1/2.8" Progressive Scan CMOS
- Up to 1920 × 1080 @30fps resolution
- Excellent low-light performance with powered-by-DarkFighter technology
- 32 × optical zoom, 16 × digital zoom
- WDR, HLC, BLC, 3D DNR, Defog, Regional Exposure, Regional Focus, Rapid Focus
- Up to 200 m IR distance
- 24 VAC & Hi-PoE
- Support H.265+/H.265 video compression



## ▪ Specification

Camera Module	
Image Sensor	1/2.8" progressive scan CMOS
Min. Illumination	Color: 0.005 Lux @ (F1.2, AGC ON), B/W: 0.001 Lux @ (F1.2, AGC ON), 0 Lux with IR
Shutter Speed	1/1 s to 1/30000 s
Slow Shutter	yes
Focus	semi-auto, manual, auto
Day & Night	ICR
Day/Night Switch	day, night, auto, scheduled-switch
BLC	yes
WDR	120 dB WDR
HLC	yes
3D DNR	yes
Defog	yes
EIS	yes
Regional Exposure	yes
Regional Focus	yes
Image Settings	saturation, brightness, contrast, sharpness
White Balance	auto, ATW, sodium lamp, fluorescent lamp, indoor, outdoor, MWB, Locked WB
Digital Zoom	16 ×
Optical Zoom	32 ×
Privacy Mask	up to 24 masks, polygon region, mosaic mask, mask color configurable
SNR	> 52 dB
Lens	
Focal Length	4.8 mm to 153 mm, 32 × Optical
Zoom Speed	approx. 4.2 s
FOV	Horizontal field of view: 58.4° to 2.14° (wide-tele), Vertical field of view: 33.8° to 1.2° (wide-tele), Diagonal field of view: 65.6° to 2.46° (wide-tele)
Aperture	F1.2
PTZ	
Movement Range (Pan)	360°
Movement Range (Tilt)	-15° to 90° (auto flip)
Pan Speed	pan speed: configurable from 0.1° to 160°/s; preset speed: 240°/s
Tilt Speed	tilt speed: configurable from 0.1° to 120°/s, preset speed 200°/s
Proportional Zoom	yes
Presets	300
Patrol Scan	8 patrols, up to 32 presets for each patrol
Pattern Scan	4 pattern scans
Power-off Memory	yes
Park Action	preset, pattern scan, patrol scan, auto scan, tilt scan, random scan, frame scan, panorama scan
3D Positioning	yes
PTZ Status Display	yes
Preset Freezing	yes
Scheduled Task	preset, pattern scan, patrol scan, auto scan, tilt scan, random scan, frame scan, panorama scan, dome reboot, dome adjust, aux output
Video	
Max. Resolution	1920 × 1080
Stream Type	main stream, sub-stream, third stream
Main Stream	50Hz: 25fps (1920 × 1080, 1280 × 960, 1280 × 720); 60Hz: 30fps (1920 × 1080, 1280 × 960, 1280 × 720)
Sub-Stream	50Hz: 25fps (704 × 576, 640 × 480, 352 × 288); 60Hz: 30fps (704 × 480, 640 × 480, 352 × 240)
Third Stream	50Hz: 25fps (1920 × 1080, 1280 × 960, 1280 × 720, 704 × 576, 640 × 480, 352 × 288); 60Hz: 30fps (1920 × 1080, 1280 × 960, 1280 × 720, 704 × 480, 640 × 480, 352 × 240)
Video Compression	H.265, H.264, MJPEG
Video Bit Rate	32 kbps to 16384 kbps
H.264 Type	baseline profile, main profile, high profile

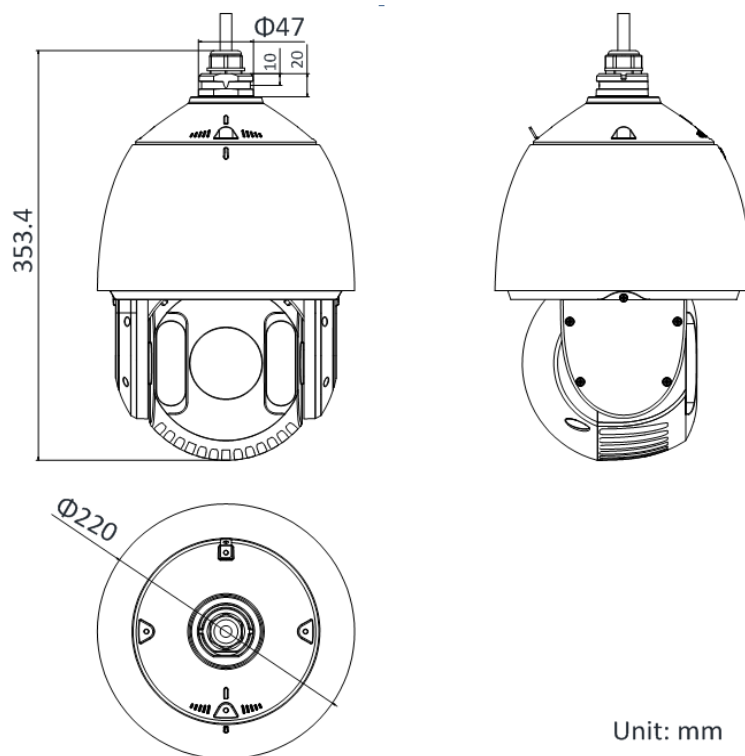
H.265 Type	main profile
H.264+	yes
H.265+	yes
SVC	yes
ROI	fixed region, main stream, sub-stream and third stream respectively support eight fixed areas
<b>Audio</b>	
Audio Compression	G.711alaw, G.711ulaw, G.722.1, G.726, MP2L2, PCM
Audio Bit rate	MP2L2: 32 kbps, 40 kbps, 48 kbps, 56 kbps, 64 kbps, 80 kbps, 96 kbps, 112 kbps, 128 kbps, 144 kbps, 160 kbps, 192 kbps
Audio Sampling Rate	MP2L2: 16 kHz, 32 kHz, 48 kHz, PCM: 8 kHz, 16 kHz, 32 kHz, 48 kHz
Environment Noise Filtering	yes
<b>Smart Features</b>	
Face Capture	yes
Basic Event	audio exception, motion detection, alarm input, alarm output, video tampering alarm, exception
Smart Event	intrusion detection, line crossing detection, region entrance detection, region exiting detection, unattended baggage detection, object removal detection
Smart Tracking	manual tracking, event tracking, auto-tracking
Smart Record	ANR, Dual-VCA
Alarm Linkage	preset, patrol scan, pattern scan, memory card video recording, alarm output, sending email, notify surveillance center, upload to FTP, smart tracking
Perimeter Protection	Line crossing, intrusion, region entrance, region exiting Support alarm triggering by specified target types (human and vehicle)
<b>Network</b>	
Network Storage	NAS (NFS, SMB/ CIFS), ANR
Protocols	IPv4/IPv6, HTTP, HTTPS, 802.1x, Qos, FTP, SMTP, UPnP, SNMP, DNS, DDNS, NTP, RTSP, RTCP, RTP, TCP/IP, UDP, IGMP, ICMP, DHCP, PPPoE, Bonjour
API	ISAPI, Hikvision SDK, Hik-Connect, ONVIF (Profile S, Profile G, Profile T), ISUP
Simultaneous Live View	20
User/Host	32
Smooth Streaming	yes
Security Measures	Authenticated username and password, MAC address binding, HTTPS encryption, 802.1X authenticated access, IP address filter
Client	iVMS-4200, Hik-Connect, HikCentral
Web Browser	IE 8 to 11, Chrome 57+, Firefox 52+, Safari 12+
<b>Interface</b>	
Communication Interface	RJ45, self-adaptive 10M/100M Ethernet port
On-board Storage	support microSD/microSDHC/microSDXC cards, up to 256 GB
Alarm Input	2 alarm inputs
Alarm Output	1 alarm output
Audio Input	1 audio input
Audio Output	1 audio output, line level, impedance: 600 Ω
<b>Supplement Light</b>	
IR Distance	200 m
<b>General</b>	
Power	24 VAC, Hi-PoE
Power Consumption and Current	Max. 42 W, including max. 10 W for heater and max. 18 W for supplement light
Operating Conditions	-30°C to 65°C (-22°F to 149°F); humidity lower than 90%RH
Reset	yes
Demist	Demist by heating the glass
Material	ADC 12, PC, PC+10%GF
Dimensions	Φ 220 mm × 353.4 mm (Φ 8.66" × 13.91")
Weight	Approx. 5 kg (11.02 lb.)
<b>Approval</b>	
Protection	IP66 Standard, IK10 (excluding glass window), 6000V Lightning Protection, Surge Protection and Voltage Transient Protection

## ▪ DORI

The DORI (detect, observe, recognize, identify) distance gives the general idea of the camera ability to distinguish persons or objects within its field of view. It is calculated based on the camera sensor specification and the criteria given by EN 62676-4: 2015.

DORI	Detect	Observe	Recognize	Identify
Definition	25 px/m	63 px/m	125 px/m	250 px/m
Distance (Tele)	2046.9 m (6715.6 ft)	812.3 m (2665.0 ft)	409.4 m (1343.2 ft)	204.7 m (671.2 ft)

## ▪ Dimension



## ▪ Accessory

### ▪ Optional



DS-1604ZJ-Box-Corner  
Wall Mount with Junction  
Box



DS-1602ZJ  
Wall Mount



DS-1604ZJ-Box  
Wall Mount with Junction  
Box



DS-1604ZJ  
Wall Mount



DS-1682ZJ  
Extendable Pole for Pendant  
Mount



DS-1604ZJ-pole  
Vertical Pole Mount



DS-1604ZJ-Box-Pole  
Vertical Pole Mount with  
Junction Box



DS-1604ZJ-Corner  
Corner Mount



DS-1661ZJ  
Pendant Mount



DS-1663ZJ  
Ceiling Mount



DS-1681ZJ  
Installation Adapter



DS-1673ZJ  
Horizontal Pole Mount



DS-1660ZJ  
Parapet Wall Mount



DS-1662ZJ  
Pendant Mount



DS-1667ZJ  
Extendable Pole for Pendant  
Mount



DS-1619ZJ  
Gooseneck Mount



DS-1005KI  
USB Joy-stick



HKA-A24250-230(EU)  
HKKD-12077(USA)  
HKA-A24250-230-BS(UK)  
PSE-A1525/5060(JP)  
Power Adapter



LAS60-57CN-RJ45  
Hi-PoE midspan



DS-1100KI  
Network Keyboard

*\*DS-1673ZJ should be used with DS-1661ZJ or DS-1602ZJ.*

#### ▪ Available Model

DS-2DE7232IW-AE (S5)

Distributed by

**HIKVISION****Headquarters**

No.555 Qianme Road, Binjiang District,  
Hangzhou 310051, China  
T +86-571-8007-5998  
overseasbusiness@hikvision.com

**Hikvision USA**  
T +1-905-895-0400  
sales.usa@hikvision.com

**Hikvision Australia**  
T +61-2-8689-4233  
salesau@hikvision.com

**Hikvision India**  
T +91-22-28489300  
sales@pramathikvision.com

**Hikvision Canada**  
T +1-866-200-8890  
sales.canada@hikvision.com

**Hikvision Thailand**  
T +662-275-9949  
sales.thailand@hikvision.com

**Hikvision Europe**  
T +31-23-3542770  
sales.eu@hikvision.com

**Hikvision Italy**  
T +39-0438-6902  
info.it@hikvision.com

**Hikvision Brazil**  
T +55 11 3338-0050  
latam.support@hikvision.com

**Hikvision Turkey**  
T +90 1216521 7075-7074  
sales.tr@hikvision.com

**Hikvision Malaysia**  
T +601-7652-2433  
sales.my@hikvision.com

**Hikvision UK & Ireland**  
T +01628-902140  
sales.uk@hikvision.com

**Hikvision South Africa**  
Tel: +27 1101 0361172  
sales.africa@hikvision.com

**Hikvision France**  
T +3301-85-330-460  
info.fr@hikvision.com

**Hikvision Kazakhstan**  
T +7-727-0730967  
nikia.panfilov@hikvision.ru

**Hikvision Vietnam**  
T +84-974270985  
sales.vt@hikvision.com

**Hikvision UAE**  
T +971-4-4417090  
salesme@hikvision.com

**Hikvision Singapore**  
T +65-6694-4718  
sg@hikvision.com

**Hikvision Spain**  
T +34-91-737-16-55  
info.es@hikvision.com

**Hikvision Tashkent**  
T +99-87-1238-9438  
uzb@hikvision.ru

**Hikvision Hong Kong**  
T +852-2351-1761  
info.hk@hikvision.com

**Hikvision Russia**  
T +7-495-669-67-98  
salesru@hikvision.com

**Hikvision Korea**  
T +82-0131-733-8817  
sales.korea@hikvision.com

**Hikvision Poland**  
T +48-22-460-03-50  
info.pl@hikvision.com

**Hikvision Indonesia**  
T +62-21-2933759  
Sales.indonesia@hikvision.com

**Hikvision Colombia**  
sales.colombia@hikvision.com