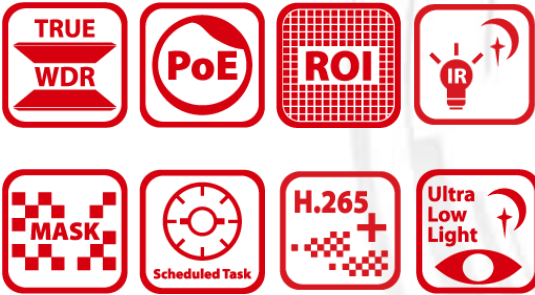


DS-2DE7A245IX-AE/S1 2MP 45× Network IR Speed Dome



Hikvision DS-2DE7A245IX-AE/S1 2MP 45× Network IR Speed Dome adopts 1/2.8" progressive scan CMOS chip. With the 45× optical zoom lens, the camera offers more details over expansive areas. This series of cameras can be widely used for wide ranges of high-definition, such as the rivers, roads, railways, airports, squares, parks, scenic spots, and venues, etc.

Key Features

- 1/2.8" progressive scan CMOS
- Up to 1920 × 1080@60fps resolution
- Excellent low-light performance with powered-by-DarkFighter technology
- 45× optical zoom, 16× digital zoom
- WDR, HLC, BLC, 3D DNR, Defog, EIS, Regional Exposure, Regional Focus
- Up to 200 m IR distance
- 24 VAC & Hi-PoE
- Support H.265+/H.265 video compression



Specification

Camera Module	
Image Sensor	1/2.8" progressive scan CMOS
Min. Illumination	Color: 0.005 Lux @(F1.6, AGC ON) B/W: 0.0005Lux @(F1.6, AGC ON) 0 Lux with IR
White Balance	Auto/Manual/ATW (Auto-tracking White Balance)/Indoor/Outdoor/Fluorescent Lamp/Sodium Lamp
Gain	Auto/Manual
Shutter Time	50Hz: 1/1 s to 1/30,000 s 60Hz: 1/1 s to 1/30,000 s
Day & Night	IR Cut Filter
Digital Zoom	16×
Privacy Mask	24 programmable polygon privacy masks, mask color or mosaic configurable
Focus Mode	Auto/Semi-automatic/Manual
WDR	120 dB WDR
Lens	
Focal Length	4 mm to 180 mm, 45× optical zoom
Zoom Speed	Approx. 3.7s (Optical Lens, Wide-Tele)
Field of View	Horizontal field of view: 70.3° to 1.8° (Wide-Tele) Vertical field of view: 42.2° to 1.0° (Wide-Tele) Diagonal field of view: 78.3° to 2.1° (Wide-Tele)
Working Distance	10 mm to 1500 mm (wide-tele)
Aperture Range	F1.6 to F4.95
Illuminator	
IR Distance	200 m
Smart IR	Yes
PTZ	
Movement Range (Pan)	360° endless
Pan Speed	Configurable, from 0.1°/s to 160°/s, Preset speed: 240°/s
Movement Range (Tilt)	From -15° to 90° (Auto-Flip)
Tilt Speed	Configurable, from 0.1°/s to 120°/s Preset Speed: 200°/s
Proportional Zoom	Yes
Presets	300
Patrol Scan	8 patrols, up to 32 presets for each patrol
Pattern Scan	4 pattern scans, record time over 10 minutes for each scan
Power-off Memory	Yes
Park Action	Preset/Pattern Scan/Patrol Scan/Auto Scan/Tilt Scan/Random Scan/Frame Scan/Panorama Scan
3D Positioning	Yes
PTZ Position Display	Yes
Preset Freezing	Yes
Scheduled Task	Preset/Pattern Scan/Patrol Scan/Auto Scan/Tilt Scan/Random Scan/Frame Scan/Panorama Scan/Dome Reboot/Dome Adjust/Aux Output
Compression Standard	
Video Compression	Main Stream: H.265+/H.265/H.264+/H.264 Sub-stream: H.265/H.264/MJPEG Third Stream: H.265/H.264/MJPEG
H.264 Type	Baseline Profile/Main Profile/High Profile
H.264+	Yes
H.265+	Yes
Video Bitrate	32 Kbps to 16384 Kbps
Audio Compression	G.711alaw/G.711ulaw/G.722.1/G.726/MP2L2/PCM
Audio Bitrate	64 Kbps (G.711)/16 Kbps (G.722.1)/16 Kbps (G.726)/32 Kbps to 192 Kbps(MP2L2)

SVC	Yes
Smart Features	
Basic Event	Motion Detection, Alarm Input, Alarm Output, Video Tampering Detection, Exception
Smart Event	Face Detection, Intrusion Detection, Line Crossing Detection, Region Entrance Detection, Region Exiting Detection, Audio Exception Detection, Unattended Baggage Detection, Object Removal Detection
Smart Tracking	Manual Tracking, Auto Tracking, Event Tracking
Smart Record	ANR (Automatic Network Replenishment), Dual-VCA
ROI	Main stream, sub-stream, and third stream respectively support eight fixed areas.
Image	
Max. Resolution	1920 × 1080
Main Stream	50Hz: 25fps (1920 × 1080, 1280 × 960, 1280 × 720) 50fps (1920 × 1080, 1280 × 960, 1280 × 720) 60Hz: 30fps (1920 × 1080, 1280 × 960, 1280 × 720) 60fps (1920 × 1080, 1280 × 960, 1280 × 720)
Sub-Stream	50Hz: 25fps (704 × 576, 640 × 480, 352 × 288) 60Hz: 30fps (704 × 480, 640 × 480, 352 × 240)
Third Stream	50Hz: 25fps (1920 × 1080, 1280 × 960, 1280 × 720, 704 × 576, 640 × 480, 352 × 288) 60Hz: 30fps (1920 × 1080, 1280 × 960, 1280 × 720, 704 × 480, 640 × 480, 352 × 240)
Image Enhancement	HLC/BLC/3D DNR/Defog/EIS/Regional Exposure/Regional Focus
Network	
Network Storage	Built-in memory card slot, support Micro SD/SDHC/SDXC, up to 256 GB; NAS (NFS, SMB/CIFS), ANR
Alarm Linkage	Alarm actions, such as Preset, Patrol Scan, Pattern Scan, Memory Card Video Record, Trigger Recording, Notify Surveillance Center, Upload to FTP/Memory Card/NAS, Send Email, etc.
Protocols	IPv4/IPv6, HTTP, HTTPS, 802.1x, Qos, FTP, SMTP, UPnP, SNMP, DNS, DDNS, NTP, RTSP, RTCP, RTP, TCP/IP, DHCP, PPPoE, Bonjour
API	ONVIF (Profile S, Profile G, Profile T), ISAPI, SDK
Simultaneous Live View	Up to 20 channels
User/Host	Up to 32 users 3 levels: Administrator, Operator and User
Security Measures	User authentication (ID and PW), Host authentication (MAC address); HTTPS encryption; IEEE 802.1x port-based network access control; IP address filtering
Client	iVMS-4200, Hik-Central, Hik-Connect
Web Browser	IE 8 to 11, Chrome 31.0+, Firefox 30.0+, Edge 16.16299+, Safari 11+
Interface	
Alarm Interface	2-ch alarm input and 1-ch alarm output
Audio Interface	1-ch audio input and 1-ch audio output
Network Interface	1 RJ45 10 M/100 M Ethernet, Hi-PoE
General	
Language (Web Browser Access)	English
Power	24 VAC, 3.0 A, 50/60 Hz & Hi-PoE, 42.5 to 57 VDC, 1.41 A Max. 40 W, includes max. 16 W for IR and max. 10 W for heater)
Working Temperature	-30°C to 65°C (-22°F to 149°F)
Working Humidity	≤ 90%
Protection Level	IP66 Standard, IK10 (excluding glass window), 6000V Lightning Protection, Surge Protection and Voltage Transient Protection
Material	Aluminum alloy
Dimensions	Φ 220 mm × 353.4 mm (Φ 8.66" × 13.91")
Weight	Approx. 4.5 kg (9.92 lb)

DORI

The DORI (detect, observe, recognize, identify) distance gives the general idea of the camera ability to distinguish persons or objects within its field of view.

It is calculated based on the camera sensor specification and the criteria given by EN 62676-4: 2015.

DORI	Detect	Observe	Recognize	Identify
Definition	25 px/m	63 px/m	125 px/m	250 px/m
Distance (Tele)	2344.8 m (7692.9 ft)	930.5 m (3052.8 ft)	469 m (1538.7 ft)	234.5 m (769.3 ft)

Available Model

DS-2DE7A245IX-AE/S1, 24 VAC & Hi-PoE

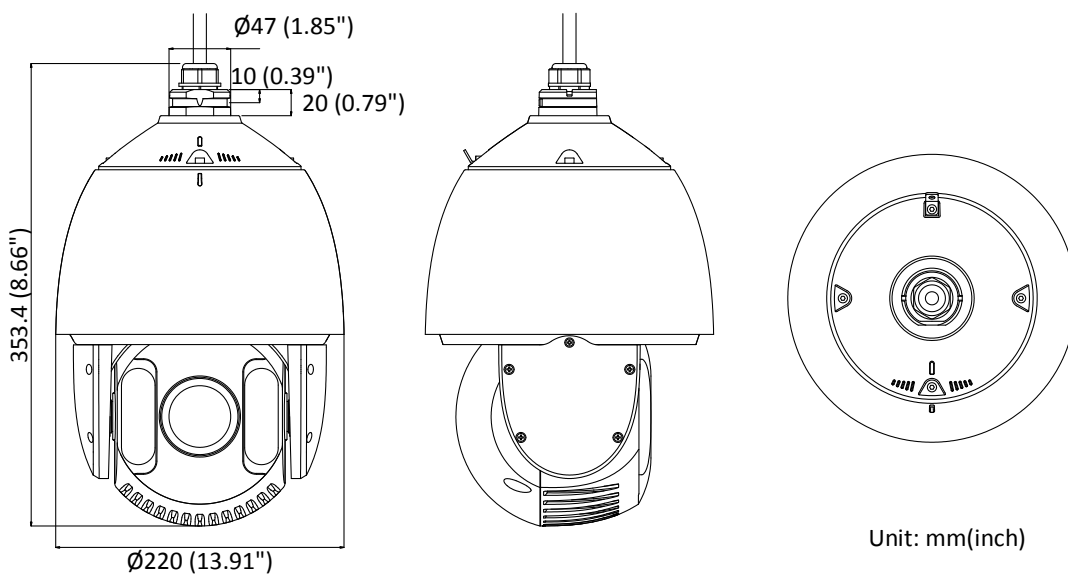
Typical Application

Hikvision products are classified into three levels according to their anti-corrosion performance. Refer to the following description to choose for your using environment.

This model has NO SPECIFIC PROTECTION.

Level	Description
Top-level protection	Hikvision products at this level are equipped for use in areas where professional anti-corrosion protection is a must. Typical application scenarios include coastlines, docks, chemical plants, and more.
Moderate protection	Hikvision products at this level are equipped for use in areas with moderate anti-corrosion demands. Typical application scenarios include coastal areas about 2 kilometers (1.24 miles) away from coastlines, as well as areas affected by acid rain.
No specific protection	Hikvision products at this level are equipped for use in areas where no specific anti-corrosion protection is needed.

Dimensions



Accessory

Optional:



DS-1604ZJ
Wall Mount



DS-1602ZJ
Wall Mount



DS-1604ZJ-box
Wall Mount with Junction
Box



DS-1604ZJ-box-pole
Vertical Pole Mount with
Junction Box



DS-1604ZJ-box-corner
Corner Mount with
Junction Box



DS-1661ZJ
Pendant Mount



DS-1662ZJ
Pendant Mount



DS-1667ZJ
Extendable Pole for
Pendant Mount



DS-1682ZJ
Extendable Pole for
Pendant Mount



DS-1663ZJ
Ceiling Mount



DS-1681ZJ
Installation Adapter



DS-1673ZJ
Horizontal Pole Mount

Distributed by



DS-1660ZJ
Parapet Mount



DS-1619ZJ
Gooseneck Mount



HKA-A24250-230 (EU)
HKKD-12077 (USA)
HKA-A24250-230-BS (UK)
PSE-A1525/5060 (JP)
Power adapter



LAS60-57CN-RJ45
Hi-PoE Midspan



Headquarters

No.555 Qianjin Road, Binjiang District,
Hangzhou 310051, China
T +86-571-8807-5999
ov@hikvision.com

*DS-1673ZJ should be used with DS-1661ZJ or DS-1602ZJ.

Hikvision USA
T +1-909-895-0400
sales.usa@hikvision.com

Hikvision Australia
T +61-2-8589-4233
sales.au@hikvision.com

Hikvision India
T +91-22-29469800
sales@pramihikvision.com

Hikvision Canada
T +1-888-200-8890
sales.canada@hikvision.com

Hikvision Thailand
T +662-275-8948
sales.thailand@hikvision.com

Hikvision Europe
T +31-23-5542770
sales.eu@hikvision.com

Hikvision Italy
T +39-0435-6902
info.it@hikvision.com

Hikvision Brazil
T +55 11 3218-0050
latam.support@hikvision.com

Hikvision Turkey
T +90 216521 7070- 7074
sales.tr@hikvision.com

Hikvision Malaysia
T +601-7652-2413
sales.my@hikvision.com

Hikvision UK & Ireland
T +01629-907140
sales.uk@hikvision.com

Hikvision South Africa
Tel: +27(0)11 0351177
sales.africa@hikvision.com

Hikvision France
T +33(0)1-85-339-450
info.fr@hikvision.com

Hikvision Kazakhstan
T +7-727-9730867
niks.pavelov@hikvision.ru

Hikvision Vietnam
T +84-974270888
sales.vi@hikvision.com

Hikvision UAE
T +971-4-4432000
sales.me@hikvision.com

Hikvision Singapore
T +65-6584-4718
sg@hikvision.com

Hikvision Spain
T +34-91-757-18-56
info.es@hikvision.com

Hikvision Tashkent
T +99-97-1238-9438
uzb@hikvision.ru

Hikvision Hong Kong
T +852-2151-1761
info.hk@hikvision.com

Hikvision Russia
T +7-495-689-57-99
salenu@hikvision.com

Hikvision Korea
T +82-031-731-8817
sales.korea@hikvision.com

Hikvision Poland
T +48-22-460-01-50
info.pl@hikvision.com

Hikvision Indonesia
T +62-21-2933758
Sales.indonesia@hikvision.com

Hikvision Colombia
sales.colombia@hikvision.com