

DS-2CD1743G0-IZS/UK 4.0 MP VF Network Dome Camera



Key Features

- 1/3" progressive scan CMOS
- 2560 × 1440@30fps
- 2.7 mm to 13.5 mm manual/motorized (with -Z) vari-focal lens
- H.265+, H.265, H.264+, H.264
- Triple stream
- 120 dB WDR (Wide Dynamic Range)
- 3D DNR (Digital Noise Reduction)
- Up to 50 m IR range
- PoE (Power over Ethernet)
- IP67,IK10



Specification

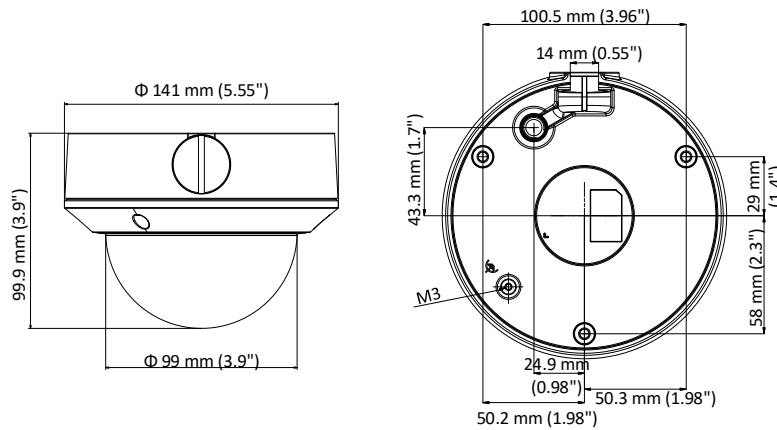
Camera	
Image Sensor	1/3" progressive scan CMOS
Min. Illumination	Color: 0.01 Lux @(F1.2, AGC ON), 0.018Lux @ (F1.6, AGC ON)
Shutter Speed	1/3 s to 1/100, 000 s, support slow shutter
Slow Shutter	Yes
Auto-Iris	No
Day &Night	IR cut filter
Digital Noise Reduction	3D DNR
WDR	120 dB
Angle Adjustment	Pan: 0° to 355°, tilt: 0° to 70°, rotation: 0° to 360°
Lens	
Focal Length	2.7 to 13.5 mm
Aperture	F1.6
Focus	Auto
FOV	Horizontal field of view: 98° to 28° Vertical field of view: 51° to 16° Diagonal field of view: 115° to 32°
Lens Mount	Φ14
IR	
IR Range	Up to 50 m
Wavelength	850 nm
Compression Standard	
Video Compression	Main stream: H.265/H.264 Sub stream/Third stream: H.265/H.264/MJPEG
H.264 Type	Baseline Profile/Main Profile/High Profile
H.264+	Main stream supports
H.265 Type	Main Profile
H.265+	Main stream supports
Video Bit Rate	32 Kbps to 8 Mbps
Audio Compression	G.711/G.722.1/G.726/MP2L2/PCM
Audio Bit Rate	64Kbps(G.711)/16Kbps(G.722.1)/16Kbps(G.726)/32-192Kbps(MP2L2)
Smart Feature-set	
Region of Interest	1 fixed region for main stream and sub-stream
Behavior Analysis	Line crossing detection, intrusion detection,
Exception Detection	audio exception detection
Face Detection	Yes
Image	
Max. Resolution	2560 × 1440
Main Stream Max. Frame Rate	50Hz: 30fps (2560 × 1440), 25fps (2304 × 1296, 1920 × 1080, 1280 × 720) 60Hz: 30fps (2560 × 1440), 25fps (2304 × 1296, 1920 × 1080, 1280 × 720)
Sub-stream Max. Frame Rate	50Hz: 30fps (640 × 480, 640 × 360, 320 × 240) 60Hz: 30fps (640 × 480, 640 × 360, 320 × 240)
Third steam Max. Frame Rate	50Hz: 1080P@1fps 60Hz: 1080P@1fps
Image Enhancement	BLC, 3D DNR,HLC
Image Setting	Saturation, brightness, contrast, sharpness, AGC, white balance adjustable by client software or web browser

Day/Night Switch	Auto, scheduled
Network	
Network Storage	Support Micro SD/SDHC/SDXC card (128G), local storage and NAS (NFS,SMB/CIFS), ANR
Alarm Trigger	Motion detection, video tampering alarm, network disconnected, IP address conflicted, illegal login
Protocols	TCP/IP, ICMP, HTTP, HTTPS, FTP, DHCP, DNS, DDNS, RTP, RTSP, RTCP, PPPoE, NTP, UPnP, SMTP, SNMP, IGMP, 802.1X, QoS, IPv6, UDP, Bonjour
General Function	One-key reset, anti-flicker, heartbeat, mirror, password protection, privacy mask, watermark, IP address filter
Firmware Version	5.5.3
API	ONVIF (PROFILE S, PROFILE G), ISAPI
Simultaneous Live View	Up to 6 channels
User/Host	Up to 32 users 3 levels: Administrator, Operator and User
Client	iVMS-4200, Hik-Connect, iVMS-5200
Web Browser	IE8+, Chrome 31.0-44, Firefox 30.0-51, Safari 8.0+
Interface	
Communication Interface	1 RJ45 10M/100M self-adaptive Ethernet port
Audio	1 input (line in/mic in), 1 output (line out), mono
Alarm	1-ch input, 1-ch output (up to 12 VDC 1A or 10 VAC 500 mA)
Video Output	1Vp-p composite output (75 Ω/BNC)
Reset Button	Yes
Audio	
Environment Noise Filtering	Support
Audio Sampling Rate	8 kHz/16 kHz/32 kHz/44.1 kHz/48 kHz
General	
Operating Conditions	-30 °C to 50 °C (-22 °F to 122 °F), humidity: 95% or less (non-condensing)
Power Supply	12 VDC ± 25%, 5.5 mm coaxial power plug PoE (802.3af, class 3)
Power Consumption and Current	12 VDC, 0.8 A, Max: 10 W; PoE: (802.3af, 36 V to 57 V), 0.35 A to 0.2 A, Max: 12 W
Protection Level	IP67, IK10 TVS 2000V lightning protection, surge protection and voltage transient protection
Material	Metal & Plastic
Dimensions	Camera: Φ 141 mm × 99.9 mm (5.6" × 3.9") With package: 140 mm × 140 mm × 154 mm (5.5" × 5.5" × 6.1")
Weight	Camera: approx. 820 g (1.8 lb.) With package: approx. 1200 g (2.6 lb.)

Available Models

DS-2CD1743G0-IZS/UK (2.7 mm to 13.5 mm)

Dimension



Accessory



DS-1227ZJ
In-ceiling Mount

The bracket should be used together with the adapter plate D20-AP(White)



DS-1273ZJ-135
Wall Mount



DS-1273ZJ-135B
Wall Mount



DS-1280ZJ-DM21
Junction Box



DS-1276ZJ-SUS
Corner Mount



DS-1275ZJ-SUS
Vertical Pole Mount



DS-1281ZJ-DM23
Inclined Ceiling Mount



DS-1271ZJ-135
Pendant mount



D20-AP(White)
Adapter Plate



Headquarters

No.555 Qianmo Road, Binjiang District,
Hangzhou 310051, China
T: +86-571-8807-8888
overseasbusiness@hikvision.com

Hikvision USA
T: +1-800-895-0400
sales.usa@hikvision.com

Hikvision Italy
T: +39-0438-69007
info.it@hikvision.com

Hikvision Singapore
T: +65-6684-4715
sg@hikvision.com

Hikvision Africa
T: +27-1101-0361172
sales.africa@hikvision.com

Hikvision Europe
T: +31-23-55-42-770
info.eu@hikvision.com

Hikvision France
T: +33011-82-330-600
info.fr@hikvision.com

Hikvision Oceania
T: +61-2-8598-8233
sales.au@hikvision.com

Hikvision Hong Kong
T: +852-2151-1781

Hikvision Middle East
T: +971-4-8810066
sales.me@hikvision.com

Hikvision Spain
T: +34-91-737-16-56
info.es@hikvision.com

Hikvision Canada
T: +1-877-895-8400
sales.usa@hikvision.com

Hikvision Russia
T: +7-495-809-67-00
sales.ru@hikvision.com

Hikvision Poland
T: +48-22-460-11-50
poland@hikvision.com

Hikvision Korea
T: +82-31-721-8841
sales.korea@hikvision.com

Hikvision India
T: +91-22-3849300
sales@hikvision.com

Hikvision UK
T: +01628-902140
support.uk@hikvision.com

Hikvision Brazil
T: +55 11 3318-0060
latam.support@hikvision.com

05050320181115