

## DS-2CD2423G0-IW 2 MP IR Fixed Cube Network Camera



- High quality imaging with 2 MP resolution
- Efficient H.265+ compression technology
- Clear imaging against strong back light due to 120 dB true WDR technology
- Provides real-time security via built-in two-way audio
- Detects human body through passive infrared is sensitive to body temperature (PIR)
- -W: Wi-Fi connection



## ▪ Specification

Camera	
Image Sensor	1/2.7" Progressive Scan CMOS
Min. Illumination	Color: 0.01 Lux @ (F1.2, AGC ON), 0.028 lux @(F2.0, AGC ON), 0 lux with IR
Shutter Speed	1/3 s to 1/100,000 s
Slow Shutter	Yes
Day & Night	IR Cut Filter
Wide Dynamic Range	120 dB
Angle Adjustment	Pan: 0° to 360°, tilt: 0° to 90°, rotate: 0° to 360°
DNR	3D DNR
Lens	
Lens	2.8/4 mm
Aperture	F2.0
FOV	2.8 mm, horizontal FOV: 114°, vertical FOV: 62°, diagonal FOV: 135° 4 mm, horizontal FOV: 86°, vertical FOV: 46°, diagonal FOV: 102°
Lens Mount	M12
Illuminator	
IR Range	10 m
Wavelength	850 nm
PIR	
PIR Angle	Horizontal: 90°, vertical: 80°
PIR Range	10 m
Video	
Max. Resolution	1920 × 1080
Main Stream	50Hz: 25 fps (1920 × 1080, 1280 × 960, 1280 × 720) 60Hz: 30 fps (1920 × 1080, 1280 × 960, 1280 × 720)
Sub Stream	50Hz: 25 fps (640 × 480, 640 × 360, 320 × 240) 60Hz: 30 fps (640 × 480, 640 × 360, 320 × 240)
Third Stream	50Hz: 25 fps (1920 × 1080, 1280 × 720, 640 × 360, 352 × 288) 60Hz: 30 fps (1920 × 1080, 1280 × 720, 640 × 360, 352 × 240)
Video Compression	Main stream: H.265/H.264 Sub-stream: H.265/H.264/MJPEG Third stream: H.265/H.264
H.264 Type	Main Profile/High Profile
H.265 Type	Main Profile
Video Bit Rate	32 Kbps to 16 Mbps
SVC	Support H.264 and H.265 encoding
Audio	
Audio Compression	G722.1/G711ulaw/G711alaw/G726/MP2L2/PCM
Audio Bit Rate	64Kbps(G.711)/16Kbps(G.722.1)/16Kbps(G.726)/32-160Kbps(MP2L2)
Environment Noise Filtering	Yes
Audio Sampling Rate	8 kHz/16 kHz/32 kHz/44.1 kHz/48 kHz
Image	
Image Enhancement	BLC/3D DNR/HLC

Day/Night Switch	Day/Night/Auto/Schedule
<b>Wi-Fi</b>	
Frequency	2.412 GHz to 2.4835 GHz
Channel Bandwidth	20 M/40 M
Security	WPA, WPA2
Transfer Rate	11b: 11 Mbps 11g: 54 Mbps 11n: up to 150 Mbps
Wireless Range	50 m
Wireless Standards	IEEE 802.11b/g/n
<b>Network</b>	
Network Storage	Support MicroSD/SDHC/SDXC card (128 GB), local storage and NAS (NFS, SMB/CIFS), ANR
Protocols	802.11b: DQPSK, DBPSK, CCK 802.11g/n: OFDM/64-QAM, 16-QAM, QPSK, BPSK WebSocket, WebSockets
Simultaneous Live View	Up to 6 channels
User/Host	Up to 32 users. 3 levels: administrator, operator and user
Alarm Trigger	Motion detection, video tampering, network disconnected, IP address conflict, HDD full, HDD error, PIR, illegal login
<b>Interface</b>	
Communication Interface	1 RJ45 10M/100M self-adaptive Ethernet port
Audio	1 built-in mic, 1 built-in speaker, mono sound
On-board Storage	Built-in Micro SD/SDHC/SDXC slot, up to 128 GB
<b>General</b>	
Reset	Yes
Startup and Operating Conditions	-10 °C to +40 °C (14 °F to +104 °F), Humidity 95% or less (non-condensing)
Power Supply	12 VDC ± 25%, PoE (802.3af, class 3)
Power Consumption and Current	12 VDC, 0.5 A, max. 6 W, Ø5.5 mm coaxial plug power; PoE (802.3af, 36 V to 57 V), 0.2 A to 0.1 A, max. 7 W
Material	Plastic
Dimensions	102.8 mm × 65.2 mm × 32.6 mm (4.1" × 2.6" × 1.3")
Weight	Camera: Approx. 128 g (0.3 lb.)
<b>Compression Standard</b>	
H.264+	Main stream supports
H.265+	Main stream supports
<b>Smart Feature-set</b>	
Face Detection	Yes

### ▪ Available Model

DS-2CD2423G0-IW(2.8 mm, 4 mm)(W)

### ▪ Typical Application

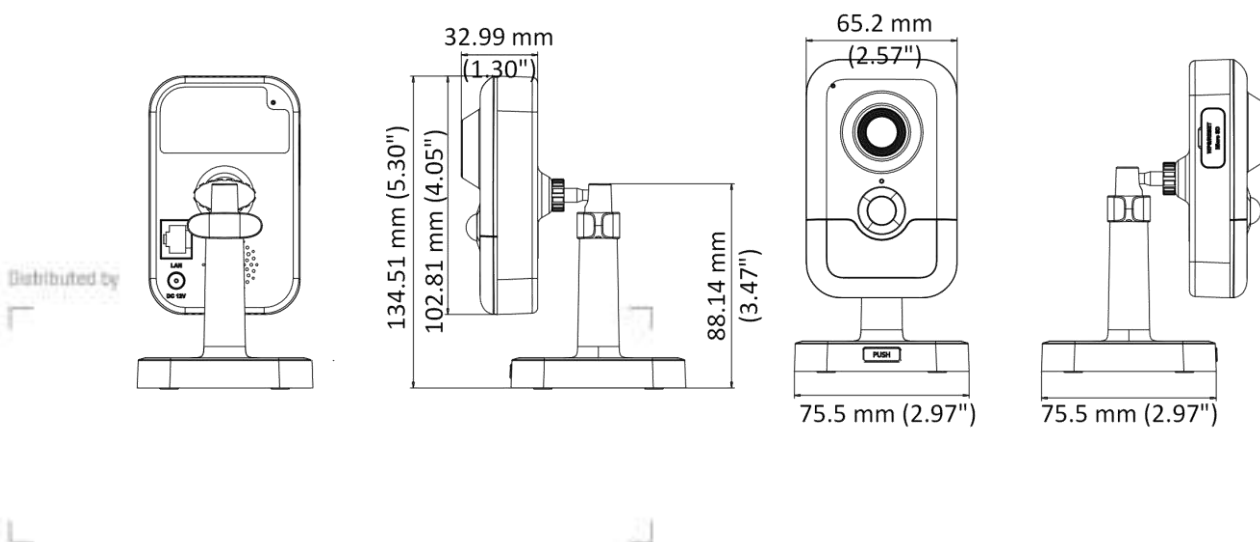
Hikvision products are classified into three levels according to their anti-corrosion performance. Refer to the following

description to choose for your using environment.

This model has NO SPECIFIC PROTECTION.

Level	Description
Top-level protection	Hikvision products at this level are equipped for use in areas where professional anti-corrosion protection is a must. Typical application scenarios include coastlines, docks, chemical plants, and more.
Moderate protection	Hikvision products at this level are equipped for use in areas with moderate anti-corrosion demands. Typical application scenarios include coastal areas about 2 kilometers (1.24 miles) away from coastlines, as well as areas affected by acid rain.
No specific protection	Hikvision products at this level are equipped for use in areas where no specific anti-corrosion protection is needed.

## Dimension



### Headquarters

No.556 Qianme Road, Binjiang District,  
Hangzhou 310051, China  
T +86-571-8007-5988  
overseasbusiness@hikvision.com

**Hikvision USA**  
T +1-909-895-0400  
sales.usa@hikvision.com

**Hikvision Australia**  
T +61-2-8689-4233  
sales.au@hikvision.com

**Hikvision India**  
T +91-22-28463300  
sales@pramathikvision.com

**Hikvision Canada**  
T +1-866-200-6090  
sales.canada@hikvision.com

**Hikvision Thailand**  
T +662-275-9949  
sales.thailand@hikvision.com

**Hikvision Europe**  
T +31-23-5542770  
sales.eu@hikvision.com

**Hikvision Italy**  
T +39-0438-6902  
info.it@hikvision.com

**Hikvision Brazil**  
T +55 11 3338-0050  
latam.support@hikvision.com

**Hikvision Turkey**  
T +90 1236521 7076- 7074  
sales.tr@hikvision.com

**Hikvision Malaysia**  
T +601-7652-2413  
sales.my@hikvision.com

**Hikvision UK & Ireland**  
T +01526-902140  
sales.uk@hikvision.com

**Hikvision South Africa**  
Tel: +271101 0351172  
sales.africa@hikvision.com

**Hikvision France**  
T +3301-85-332-450  
info.fr@hikvision.com

**Hikvision Kazakhstan**  
T +7-727-0730067  
nkia.panfilov@hikvision.ru

**Hikvision Vietnam**  
T +84-074270888  
sales.vi@hikvision.com

**Hikvision UAE**  
T +971-4-4437000  
swiseme@hikvision.com

**Hikvision Singapore**  
T +65-6694-4718  
sg@hikvision.com

**Hikvision Spain**  
T +34-91-737-16-55  
info.es@hikvision.com

**Hikvision Tashkent**  
T +99-87-1238-9438  
uzb@hikvision.ru

**Hikvision Hong Kong**  
T +852-2351-1761  
info.hk@hikvision.com

**Hikvision Russia**  
T +7-495-669-87-99  
sales.ru@hikvision.com

**Hikvision Korea**  
T +82-0131-731-8817  
sales.korea@hikvision.com

**Hikvision Poland**  
T +48-22-460-01-50  
info.pl@hikvision.com

**Hikvision Indonesia**  
T +62-21-2933759  
Sales.Indonesia@hikvision.com

**Hikvision Colombia**  
sales.colombia@hikvision.com

05058320220627