

DS-2CD1653G0-IZ(S) 5 MP Varifocal Bullet Network Camera



- High quality imaging with 5 MP resolution
- Efficient H.265+ compression technology
- Clear imaging even with strong back lighting due to 120 dB WDR
- Up to 256 GB memory card slot for storage
- 2.8 to 12 mm motorized varifocal lens for easy installation and monitoring
- Water and dust resistant (IP67)
- EXIR 2.0: advanced infrared technology with long IR range



▪ Specification

| Camera | |
|-----------------------------|--|
| Image Sensor | 1/2.7" Progressive Scan CMOS |
| Max. Resolution | 2560 × 1920 |
| Min. Illumination | Color: 0.005 Lux @ (F1.6, AGC ON), B/W: 0 Lux with IR |
| Shutter Speed | 1/3 s to 1/100,000 s |
| Day & Night | IR cut filter |
| Angle Adjustment | Pan: 0° to 360°, tilt: 0° to 90°, rotate: 0° to 360° |
| Lens | |
| Lens Type | Varifocal lens, motorized lens, 2.8 to 12 mm |
| Focal Length & FOV | 2.8 to 12 mm: horizontal FOV 97° to 30°, vertical FOV 70° to 22.3°, diagonal FOV 128° to 37° |
| Lens Mount | Ø14 |
| Iris Type | Fixed |
| Aperture | F1.6 |
| Illuminator | |
| Supplement Light Type | IR |
| Supplement Light Range | Up to 50 m |
| IR Wavelength | 850 nm |
| Video | |
| Main Stream | 50 Hz: 20 fps (2560 × 1920) 25 fps (2560 × 1440, 1920 × 1080, 1280 × 720) 60 Hz: 20 fps (2560 × 1920) 30 fps (2560 × 1440, 1920 × 1080, 1280 × 720) |
| Sub-Stream | 50 Hz: 25 fps (1280 × 720, 640 × 480, 640 × 360) 60 Hz: 30 fps (1280 × 720, 640 × 480, 640 × 360) |
| Video Compression | Main stream: H.265+/H.265/H.264+/H.264 Sub-stream: H.265/H.264/MJPEG |
| Video Bit Rate | 32 Kbps to 16 Mbps |
| H.264 Type | Baseline Profile/Main Profile/High Profile |
| H.265 Type | Main profile |
| Region of Interest (ROI) | 1 fixed region for main stream |
| Audio | |
| Audio Compression | -S: G.711ulaw/G.711alaw/G.722.1/G.726/MP2L2/PCM/AAC |
| Audio Bit Rate | -S: 64 Kbps (G.711)/16 Kbps (G.722.1)/16 Kbps (G.726)/32 to 160 Kbps (MP2L2)/16 to 64 Kbps (AAC) |
| Audio Sampling Rate | -S: 8 kHz/16 kHz |
| Environment Noise Filtering | -S: Yes |
| Network | |
| Protocols | TCP/IP, ICMP, HTTP, HTTPS, FTP, DHCP, DNS, DDNS, RTP, RTSP, RTCP, NTP, UPnP™, SMTP, IGMP, 802.1X, QoS, IPv6, Bonjour, IPv4, UDP, SSL/TLS |
| Simultaneous Live View | Up to 6 channels |
| API | Open Network Video Interface, ISAPI |

| | |
|----------------------------------|--|
| User/Host | Up to 32 users. 3 levels: administrator, operator and user 3 user levels: administrator, operator, and user |
| Client | iVMS-4200, Hik-Connect |
| Web Browser | Plug-in required live view: IE 10+ Plug-in free live view: Chrome 57.0+, Firefox 52.0+ Local service: Chrome 57.0+, Firefox 52.0+ |
| Image | |
| Image Settings | Saturation, brightness, contrast, sharpness, AGC, white balance adjustable by client software or web browser |
| Day/Night Switch | Auto, Schedule, Day, Night |
| Wide Dynamic Range (WDR) | 120 dB |
| Image Enhancement | BLC, 3D DNR |
| Interface | |
| Ethernet Interface | 1 RJ45 10 M/100 M self-adaptive Ethernet port |
| On-Board Storage | Built-in memory card slot, support microSD card, up to 256 GB |
| Audio | -S: 1 input (line in), two-core terminal block, max. input amplitude: 3.3 Vpp, input impedance: 4.7 K Ω , interface type: non-equilibrium 1 output (line out), two-core terminal block, max. output amplitude: 3.3 Vpp, output impedance: 100 Ω , interface type: non-equilibrium |
| Alarm | -S: 1 input, 1 output (max. 12 VDC, 30 mA) |
| Reset Key | Yes |
| Event | |
| Basic Event | Motion detection, video tampering, exception |
| Linkage | Upload to FTP, notify surveillance center, send email, upload to memory card, trigger recording, trigger capture |
| General | |
| Power | 12 VDC \pm 25%, 0.9 A, max. 10.8 W, \varnothing 5.5 mm coaxial power plug PoE: 802.3af, Class 3, 36 V to 57 V, 0.36 A to 0.23 A, max. 12.9 W |
| Dimension | \varnothing 105 mm \times 244.4 mm (\varnothing 4.1" \times 9.6") |
| Package Dimension | 315 mm \times 137 mm \times 141 mm (12.4" \times 5.4" \times 5.6") |
| Weight | Approx. 715 g (1.6 lb.) |
| With Package Weight | Approx. 1125 g (2.5 lb.) |
| Storage Conditions | -30 $^{\circ}$ C to 60 $^{\circ}$ C (-22 $^{\circ}$ F to 140 $^{\circ}$ F). Humidity 95% or less (non-condensing) |
| Startup and Operating Conditions | -30 $^{\circ}$ C to 60 $^{\circ}$ C (-22 $^{\circ}$ F to 140 $^{\circ}$ F). Humidity 95% or less (non-condensing) |
| Language | English, Ukrainian |
| General Function | Anti-flicker, heartbeat, mirror, password protection, privacy mask, watermark, IP address filter |
| Approval | |
| EMC | FCC SDoC: 47 CFR Part 15, Subpart B; CE-EMC: EN 55032: 2015, EN 61000-3-2:2019, EN 61000-3-3:2013+A1:2019, EN 50130-4: 2011+A1: 2014; RCM: AS/NZS CISPR 32: 2015; IC VoC: ICES-003: Issue 7; KC: KN 32: 2015, KN 35: 2015 |

| | |
|-------------|--|
| Safety | UL: UL 62368-1; CB: IEC 62368-1:2014+A11; CE-LVD: EN 62368-1:2014/A11:2017; BIS: IS 13252(Part 1):2010/ IEC 60950-1: 2005 |
| Environment | CE-RoHS: 2011/65/EU; WEEE: 2012/19/EU; Reach: Regulation (EC) No 1907/2006 |
| Protection | IP67: IEC 60529-2013 |

▪ Available Model

DS-2CD1653G0-IZ (2.8 to 12 mm)

DS-2CD1653G0-IZS (2.8 to 12 mm)

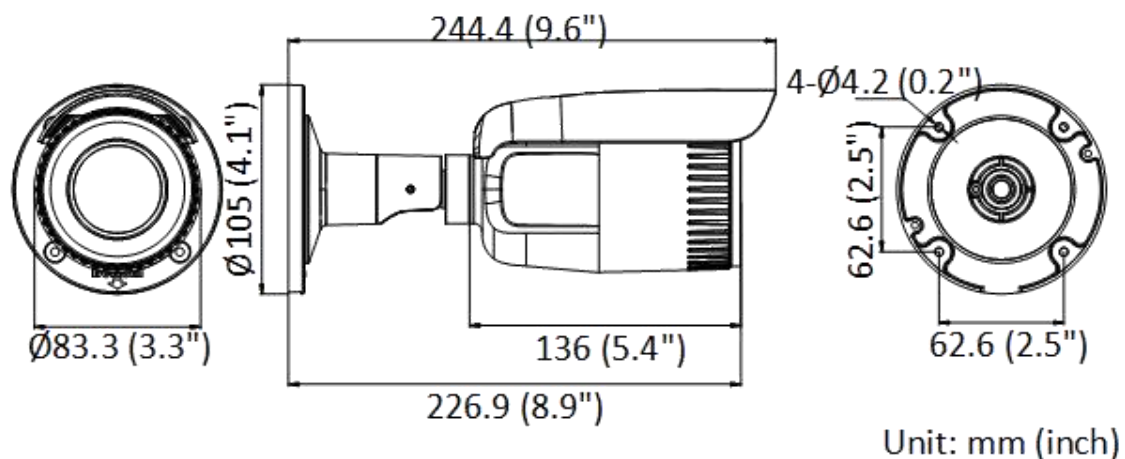
Typical Application

Hikvision products are classified into three levels according to their anti-corrosion performance. Refer to the following description to choose for your using environment.






This model has NO SPECIFIC PROTECTION.

| Level | Description |
|------------------------|--|
| Top-level protection | Hikvision products at this level are equipped for use in areas where professional anti-corrosion protection is a must. Typical application scenarios include coastlines, docks, chemical plants, and more. |
| Moderate protection | Hikvision products at this level are equipped for use in areas with moderate anti-corrosion demands. Typical application scenarios include coastal areas about 2 kilometers (1.24 miles) away from coastlines, as well as areas affected by acid rain. |
| No specific protection | Hikvision products at this level are equipped for use in areas where no specific anti-corrosion protection is needed. |

▪ Dimension



▪ **Accessory**▪ **Optional**

| DS-1276ZJ-SUS Corner Mount | DS-1275ZJ-SUS Vertical Pole Mount | DS-1260ZJ Junction Box | DS-1280ZJ-S Junction Box | DS-1275ZJ-S-SUS Vertical Pole Mount |
|---|---|---|---|---|
|  |  |  |  |  |

Distributed by

**HIKVISION****Headquarters**

No.555 Qianmo Road, Binjiang District,
Hangzhou 310051, China
T +86-571-8907-5998
overseasbusiness@hikvision.com

Hikvision USA

T +1-909-885-0920
sales.usa@hikvision.com

Hikvision Australia

T +61-2-8589-4213
salesau@hikvision.com

Hikvision India

T +91-22-28409800
sales@premi@hikvision.com

Hikvision Canada

T +1-866-200-8690
sales.canada@hikvision.com

Hikvision Thailand

T +662-271-9949
sales.thailand@hikvision.com

Hikvision Europe

T +31-23-5542770
sales.eu@hikvision.com

Hikvision Italy

T +39-0438-6902
info.it@hikvision.com

Hikvision Brazil

T +55 11 3319-0050
latam.support@hikvision.com

Hikvision Turkey

T +90 216521 7070- 7074
sales.tr@hikvision.com

Hikvision Malaysia

T +601-7652-2413
sales.my@hikvision.com

Hikvision UK & Ireland

T +01526-802140
sales.uk@hikvision.com

Hikvision South Africa

Tel: +27 110 0351172
sale.africa@hikvision.com

Hikvision France

T +33011-86-330-460
info.fr@hikvision.com

Hikvision Kazakhstan

T +7-727-9730067
nikis.pantlov@hikvision.ru

Hikvision Vietnam

T +84-074270888
sales.vt@hikvision.com

Hikvision UAE

T +971-4-4452080
salesme@hikvision.com

Hikvision Singapore

T +65-6884-4718
sg@hikvision.com

Hikvision Spain

T +34-91-737-16-55
info.es@hikvision.com

Hikvision Tashkent

T +99-67-1238-9430
uzb@hikvision.ru

Hikvision Hong Kong

T +852-2151-1761
info.hk@hikvision.com

Hikvision Russia

T +7-495-659-87-99
salesru@hikvision.com

Hikvision Korea

T +82-1031-731-8617
sales.korea@hikvision.com

Hikvision Poland

T +48-22-460-01-50
info.pl@hikvision.com

Hikvision Indonesia

T +62-21-2933759
Sales.indonesia@hikvision.com

Hikvision Colombia

sales.colombia@hikvision.com