

## DS-2CD1043G0E-I 4 MP EXIR Fixed Bullet Network Camera



- 1/3" Progressive Scan CMOS
- 2560 × 1440@20fps
- 2.8/4 mm fixed lens
- Color: 0.028 Lux @ (F2.0, AGC ON)
- H.265, H.265+, H.264, H.264+
- BLC/HLC/3D DNR/ROI
- IR range: Up to 30 m
- 3-Axis adjustment
- IP67



## Specifications

Camera	
Image Sensor	1/3" Progressive Scan CMOS
Min. Illumination	Color: 0.028 Lux @ (F2.0, AGC ON)
Shutter Speed	1/3 s to 1/100,000 s
Slow Shutter	Yes
Day & Night	IR Cut Filter
WDR	DWDR
Angle Adjustment	Pan: 0° to 360°, tilt: 0° to 180°, rotate: 0° to 360°
Lens	
Lens Type	Fixed lens, 2.8/4 mm
Aperture	F2.0
FOV	2.8 mm, horizontal FOV 100°, vertical FOV 55°, diagonal FOV 117° 4 mm, horizontal FOV 77°, vertical FOV 42°, diagonal FOV 88°
Lens Mount	M12
Illuminator	
IR Range	Up to 30 m
Wavelength	850 nm
Video	
Max. Resolution	2560 × 1440
Main Stream	50Hz: 20fps (2560 × 1440, 2304 × 1296, 1920 × 1080, 1280 × 720) 60Hz: 20fps (2560 × 1440, 2304 × 1296, 1920 × 1080, 1280 × 720)
Sub-Stream	50Hz: 20fps (640 × 480, 640 × 360, 320 × 240) 60Hz: 20fps (640 × 480, 640 × 360, 320 × 240)
Video Compression	Main stream: H.265+/H.264+/H.265/H.264 Sub-stream: H.265/H.264/MJPEG
H.264 Type	Baseline Profile/Main Profile
H.265 Type	Main Profile
Video Bit Rate	32 Kbps to 8 Mbps
Smart Feature-Set	
Basic Event	Motion detection, video tampering alarm, exception (illegal login)
Linkage Method	Upload to FTP, notify surveillance center, send email
Region of Interest	1 fixed region for main stream
Image	
Image Enhancement	BLC, HLC, 3D DNR
Image Setting	Saturation, brightness, contrast, sharpness, AGC and white balance adjustable by client software or web browser
Day/Night Switch	Day/Night/Auto/Schedule
S/N Ratio	> 50dB

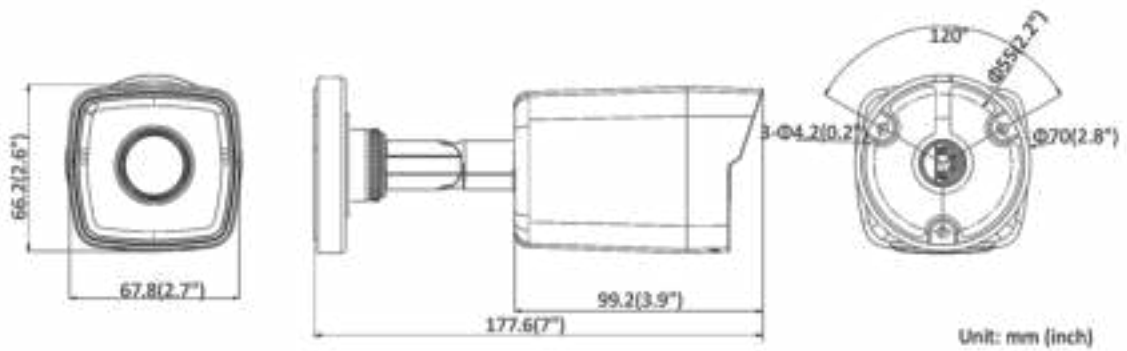
Network	
Protocols	TCP/IP, ICMP, HTTP, HTTPS, FTP, DHCP, DNS, DDNS, RTP, RTSP, NTP, UPnP, SMTP, IGMP, 802.1X, QoS, IPv6, UDP, Bonjour
API	ONVIF (PROFILE S), ISAPI, SDK
Security	Password protection, complicated password, IP address filter, Watermark, HTTPS encryption, basic and digest authentication for HTTP/HTTPS, WSSE and digest authentication for ONVIF, 802.1X authentication (EAP-MD5)
Simultaneous Live View	Up to 6 channels
User/Host	Up to 32 users, 3 levels: administrator, operator and user
Client	iVMS-4200, Hik-Central, Hik-Connect
Web Browser	IE8+, Chrome 31.0-44, Firefox30.0-51, Safari8.0+
Interface	
Communication Interface	1 RJ45 10M/100M self-adaptive Ethernet port
General	
General Function	Anti-flicker, heartbeat, mirror, privacy mask
Reset	Reset via web browser and client software
Startup and Operating Conditions	-30 °C to 60 °C (-22 °F to 140 °F), humidity 95% or less (non-condensing)
Storage Conditions	-30 °C to 60 °C (-22 °F to 140 °F), humidity 95% or less (non-condensing)
Power Supply	12 VDC ± 25%, Φ 5.5 mm coaxial power plug, reverse polarity protection; PoE (802.3af, class 3)
Power Consumption and Current	12 VDC, 0.35 A, max. 4.2 W; PoE (802.3af, 36 V to 57 V), 0.2 A to 0.1 A, max. 4.2 W
Material	Front cover: metal, back cover: plastic
Dimensions	Camera: 66.2 mm × 67.8 mm × 177.6 mm (2.6" × 2.7" × 7") With package: 216 × 121 × 118 mm (8.5" × 4.8" × 4.6")
Weight	Camera: approx. 280 g (0.6 lb.) With package: approx. 501 g (1.1 lb.)
Approval	
EMC	47 CFR Part 15, Subpart B; EN 55032: 2015, EN 61000-3-2: 2014, EN 61000-3-3: 2013, EN 50130-4: 2011 +A1: 2014; AS/NZS CISPR 32: 2015; ICES-003: Issue 6, 2016; KN 32: 2015, KN 35: 2015
Safety	UL 60950-1, IEC 60950-1:2005 + Am 1:2009 + Am 2:2013, EN 60950-1:2005 + Am 1:2009 + Am 2:2013, IS 13252(Part 1):2010+A1:2013+A2:2015, IEC/EN 60950-1
Chemistry	2011/65/EU, 2012/19/EU, Regulation (EC) No 1907/2006
Protection	Ingress protection: IP67 (IEC 60529-2013)

\* Listed resolutions are only selectable options. It does not mean that all streams can work at their maximum resolution at the same time.

## Available Model

DS-2CD1043G0E-I (2.8/4 mm)

**Dimension**



**Accessory**



**DS-1280ZJ-XS  
Junction Box**

Distributed by



## HIKVISION

### Headquarters

No.555 Qiansi Road, Binjiang District,  
Hangzhou 310051, China  
T +86-571-8907-5888  
overseasbusiness@hikvision.com

### Hikvision USA

T +1-609-895-0400  
sales.usa@hikvision.com

### Hikvision Australia

T +61-2-9599-4213  
sales.au@hikvision.com

### Hikvision India

T +91-22-28469800  
sales@pramahikvision.com

### Hikvision Canada

T +1-855-350-8880  
sales.canada@hikvision.com

### Hikvision Thailand

T +66-275-9949  
sales.thailand@hikvision.com

### Hikvision Europe

T +31-23-5542770  
sales.eu@hikvision.com

### Hikvision Italy

T +39-0438-6002  
info.it@hikvision.com

### Hikvision Brazil

T +55-11-3318-9880  
latam.support@hikvision.com

### Hikvision Turkey

T +90-31285217070-7874  
sales.tr@hikvision.com

### Hikvision Malaysia

T +601-7652-2413  
sales.my@hikvision.com

### Hikvision UK & Ireland

T +01629-362140  
sales.uk@hikvision.com

### Hikvision South Africa

Tel: +27(11) 9351172  
sales.africa@hikvision.com

### Hikvision France

T +33(0)1-85-130-460  
info.fr@hikvision.com

### Hikvision Kazakhstan

T +7-727-9730867  
nikia.pantflov@hikvision.ru

### Hikvision Vietnam

T +84-974270888  
sales.vt@hikvision.com

### Hikvision UAE

T +971-4-4432090  
sales.me@hikvision.com

### Hikvision Singapore

T +65-6584-4718  
sg@hikvision.com

### Hikvision Spain

T +34-91-737-18-55  
info.es@hikvision.com

### Hikvision Tashkent

T +99-97-1238-9438  
tcb@hikvision.ru

### Hikvision Hong Kong

T +852-2351-1761  
info.hk@hikvision.com

### Hikvision Russia

T +7-495-859-67-88  
sales.ru@hikvision.com

### Hikvision Korea

T +82-30331-731-8617  
sales.korea@hikvision.com

### Hikvision Poland

T +48-22-460-01-58  
info.pl@hikvision.com

### Hikvision Indonesia

T +62-21-2933759  
Sales.Indonesia@hikvision.com

### Hikvision Colombia

sales.colombia@hikvision.com