

DS-7116HQHI-K1 TURBO HD DVR

Key Features

- H.265 Pro+/H.265 Pro/H.265 video compression
- HDTVI/AHD/CVI/CVBS/IP video input
- Audio via coaxial cable
- Up to 24-ch IP camera inputs
- Max. 800 m for 1080p and 1200 m for 720p HDTVI signal transmission
- Up to 10 TB capacity per HDD



Compression and Recording

- H.265 Pro+ can be enabled to improve encoding efficiency and reduce data storage costs
- Full channel recording at up to 4 MP lite resolution

Storage and Playback

- Smart search for efficient playback

Smart Function

- Support multiple VCA (Video Content Analytics) events for both analog and smart IP cameras
- Support 4-ch line crossing detection and intrusion detection

Network & Ethernet Access

- Hik-Connect & DDNS (Dynamic Domain Name System) for easy network management
- Max. 96 Mbps incoming bandwidth and output bandwidth limit configurable



Specification

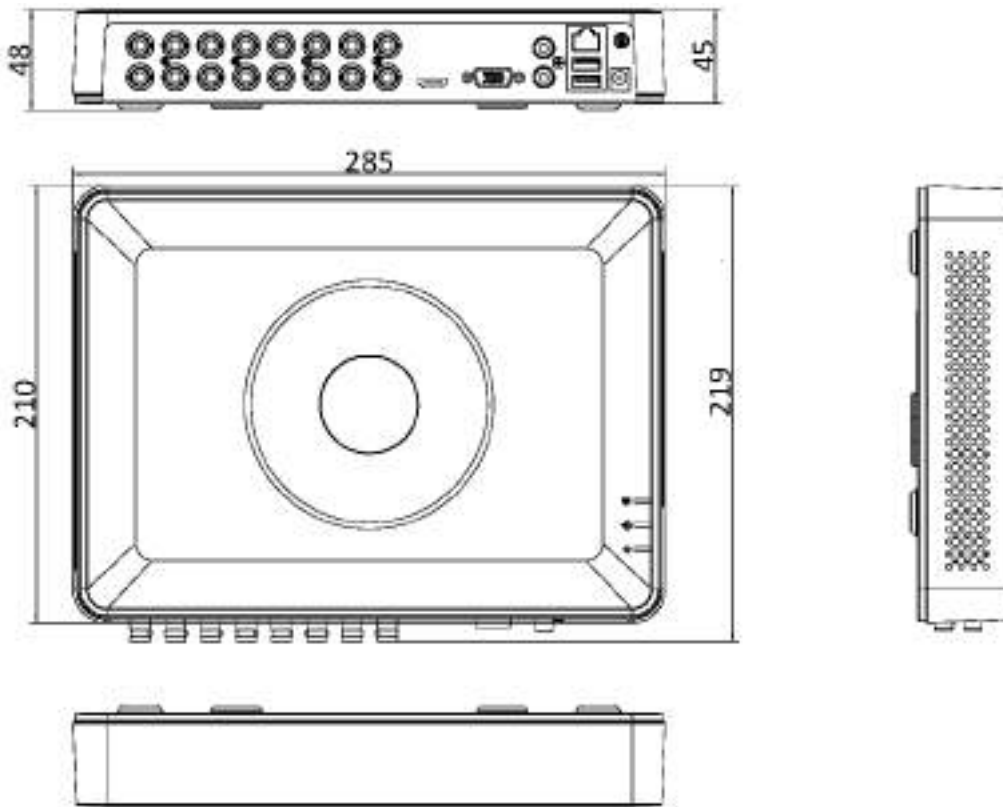
Model	DS-7116HQHI-K1
Recording	
Video compression	H.265 Pro+/H.265 Pro/H.265/H.264+/H.264
Encoding resolution	When 1080p lite mode is not enabled: 4 MP lite/1080p/720p/VGA/WD1/4CIF/CIF When 1080p lite mode is enabled: 4 MP lite/3 MP/1080p lite/720p lite/VGA/WD1/4CIF/CIF
Frame rate	Main stream: When 1080p Lite mode is not enabled: 4 MP lite/1080p@15 fps; 720p/VGA/WD1/4CIF/CIF@25 fps (P)/30 fps (N) When 1080p Lite mode is enabled: 4 MP lite@15 fps; 1080p lite/720p lite/VGA/WD1/4CIF/CIF@25 fps (P)/30 fps (N) Sub-stream: WD1/4CIF@12 fps; CIF@25 fps (P)/30 fps (N)
Video bit rate	32 Kbps to 10 Mbps
Dual stream	Support
Stream type	Video, Video & Audio
Audio compression	G.711u
Audio bit rate	64 Kbps
Video and Audio	
IP video input¹	2-ch (up to 18-ch) Enhanced IP mode on: 8-ch (up to 24-ch), each up to 4 Mbps Up to 6 MP resolution Support H.265+/H.265/H.264+/H.264 IP cameras
Analog video input	16-ch BNC interface (1.0 Vp-p, 75 Ω), supporting coaxitron connection
HDTVI input	3K(2960 × 1665)@20 fps, 5 MP(2560 × 1944)@20 fps, 4 MP(2560 × 1440)@30 fps, 4 MP(2560 × 1440)@25 fps, 1080p@30 fps, 1080p@25 fps, 720p@30 fps, 720p@25 fps
AHD input	5 MP(2560 × 1944)@20 fps, 4 MP(2560 × 1440)@30 fps, 4 MP(2560 × 1440)@25 fps, 1080p@30 fps, 1080p@25 fps, 720p@30 fps, 720p@25 fps
HDCVI input	5 MP(2592 × 1944)@20 fps, 4 MP(2560 × 1440)@30 fps, 4 MP(2560 × 1440)@25 fps, 1080p@30 fps, 1080p@25 fps, 720p@30 fps, 720p@25 fps
CVBS input	PAL/NTSC
CVBS output	N/A
VGA output	1-ch, 1920 × 1080/60Hz, 1280 × 1024/60Hz, 1280 × 720/60Hz
HDMI output	1-ch, 1920 × 1080/60Hz, 1280 × 1024/60Hz, 1280 × 720/60Hz, 1024 × 768/60Hz
Video output mode	HDMI and VGA simultaneous output
Audio input	1-ch, RCA (2.0 Vp-p, 1 KΩ) 16-ch via coaxial cable
Audio output	1-ch, RCA (Linear, 1 KΩ)
Two-way audio	1-ch, RCA (2.0 Vp-p, 1 KΩ) (using the first audio input)

Synchronous playback	16-ch
Network	
Total bandwidth	128 Mbps
Incoming bandwidth (Enhanced IP mode)	96 Mbps
Remote connection	128
Network protocol	TCP/IP, PPPoE, DHCP, Hik-Connect, DNS, DDNS, NTP, SADP, NFS, iSCSI, UPnP™, HTTPS, ONVIF
Network interface	1, RJ45 10M/100M/1000M self-adaptive Ethernet interface
Auxiliary interface	
SATA	1 SATA interface
Capacity	Up to 10 TB capacity for each disk
Serial interface	N/A
USB interface	Rear panel: 2 × USB 2.0
Alarm in/out	N/A
General	
Power supply	12 VDC, 1.9 A
Consumption (without HDD)	≤ 15 W
Working temperature	-10 °C to +55 °C (+14 °F to +131 °F)
Working humidity	10% to 90%
Dimension (W × D × H)	285 × 210 × 48 mm (11.2 × 8.3 × 1.9 inch)
Weight (without HDD)	≤ 1 kg (2.2 lb)

Note:

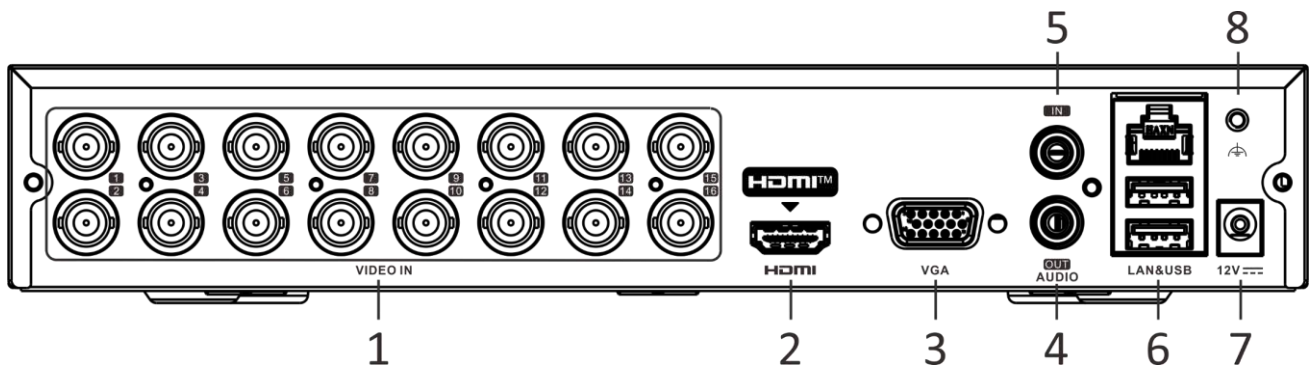
1: Enhanced IP mode might be conflicted with smart events (perimeter protection) or other functions, please refer to the user manual for details.

Dimension



scale/1:1;Unit/mm

Physical Interface



No.	Description	No.	Description
1	Video and Coaxial Audio In	5	AUDIO IN, RCA Connector
2	HDMI Interface	6	USB Interface and LAN Network Interface
3	VGA Interface	7	Power Input
4	AUDIO OUT, RCA Connector	8	GND

Available Model

DS-7116HQHI-K1

Distributed by



Headquarters

No.555 Qianmo Road, Binjiang District,
Hangzhou 310651, China
T +86-571-8807-5995
overseasbusiness@hikvision.com

Hikvision USA
T +1-800-895-8100
sales.usa@hikvision.com

Hikvision Australia
T +61-2-8599-4211
salesau@hikvision.com

Hikvision India
T +91-22-28409800
sales@prom@hikvision.com

Hikvision Canada
T +1-866-203-8600
sales.canada@hikvision.com

Hikvision Thailand
T +662-275-9948
sales.thailand@hikvision.com

Hikvision Europe
T +31-23-5542770
sales.eu@hikvision.com

Hikvision Italy
T +39-0498-6902
info.it@hikvision.com

Hikvision Brazil
T +55-11-3318-0060
latam.support@hikvision.com

Hikvision Turkey
T +90-21216217070-7074
sales.tr@hikvision.com

Hikvision Malaysia
T +601-7652-7413
sales.my@hikvision.com

Hikvision UK & Ireland
T +01628-902140
sales.uk@hikvision.com

Hikvision South Africa
Tel: +2711010351172
saafrica@hikvision.com

Hikvision France
T +33011-85-330-460
info.fr@hikvision.com

Hikvision Kazakhstan
T +7-727-0730007
nikis.pantflav@hikvision.ru

Hikvision Vietnam
T +84-074270888
sales.vt@hikvision.com

Hikvision UAE
T +971-4-4432000
sales.me@hikvision.com

Hikvision Singapore
T +65-6884-4718
sg@hikvision.com

Hikvision Spain
T +34-91-717-10-55
info.es@hikvision.com

Hikvision Tashkent
T +99-87-1238-8438
uzb@hikvision.ru

Hikvision Hong Kong
T +852-2151-1761
info.hk@hikvision.com

Hikvision Russia
T +7-465-682-87-99
sales.ru@hikvision.com

Hikvision Korea
T +82-1031-731-8817
sales.korea@hikvision.com

Hikvision Poland
T +48-22-460-01-50
info.pl@hikvision.com

Hikvision Indonesia
T +62-21-2935759
Sales.indonesia@hikvision.com

Hikvision Colombia
sales.colombia@hikvision.com